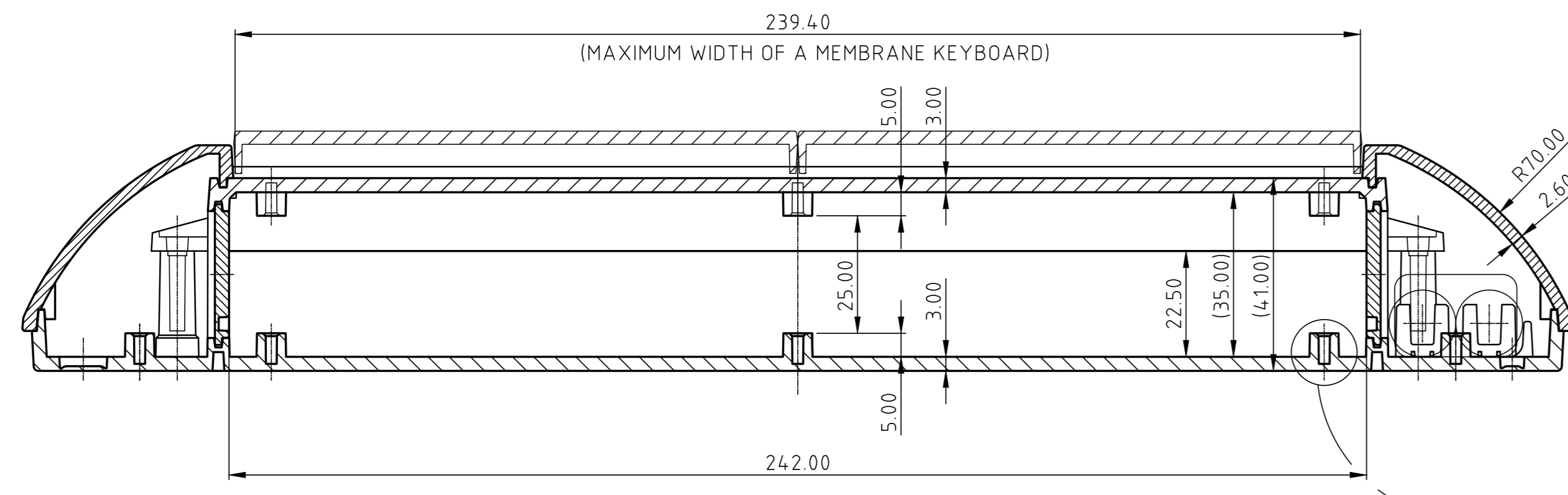
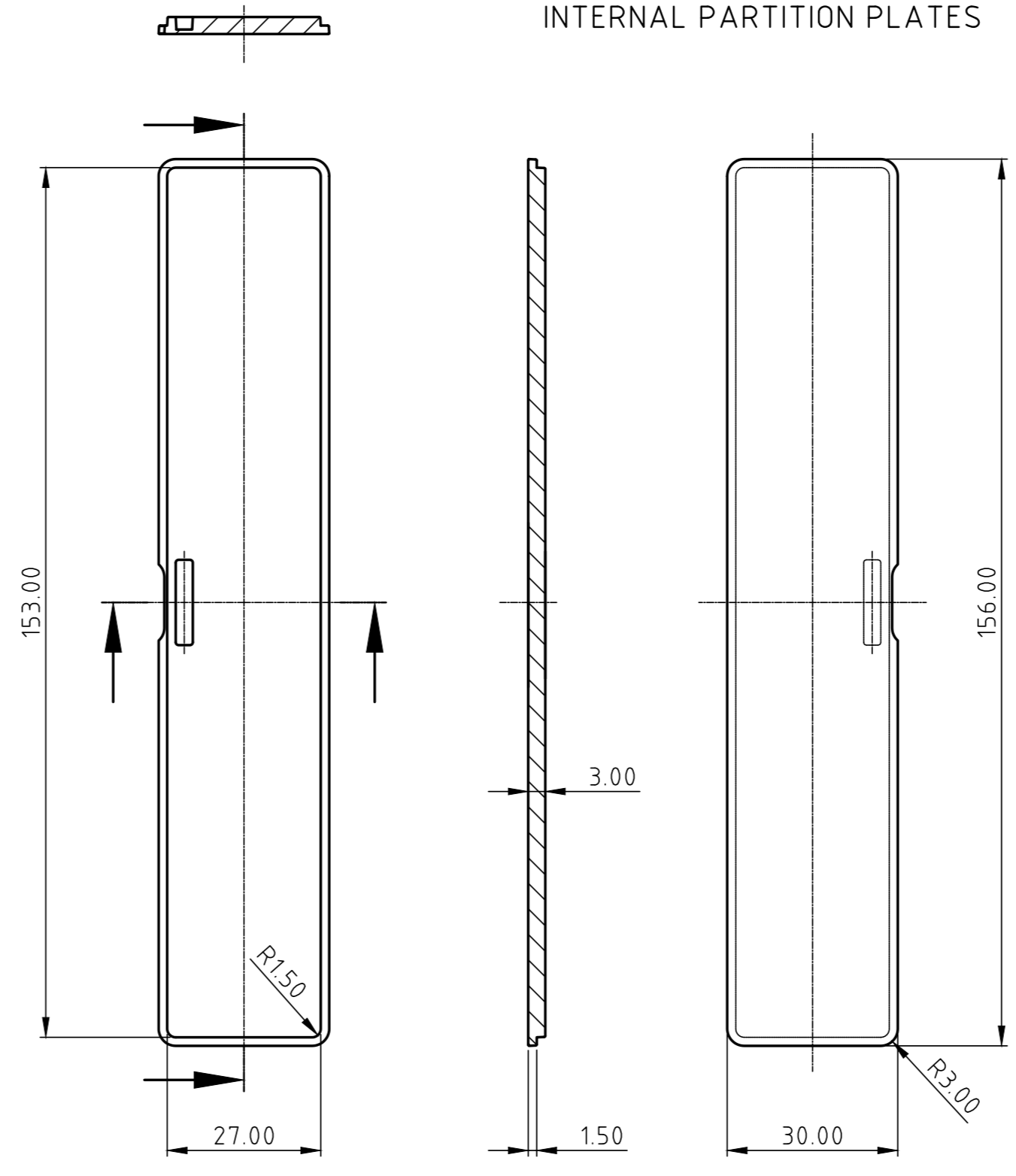


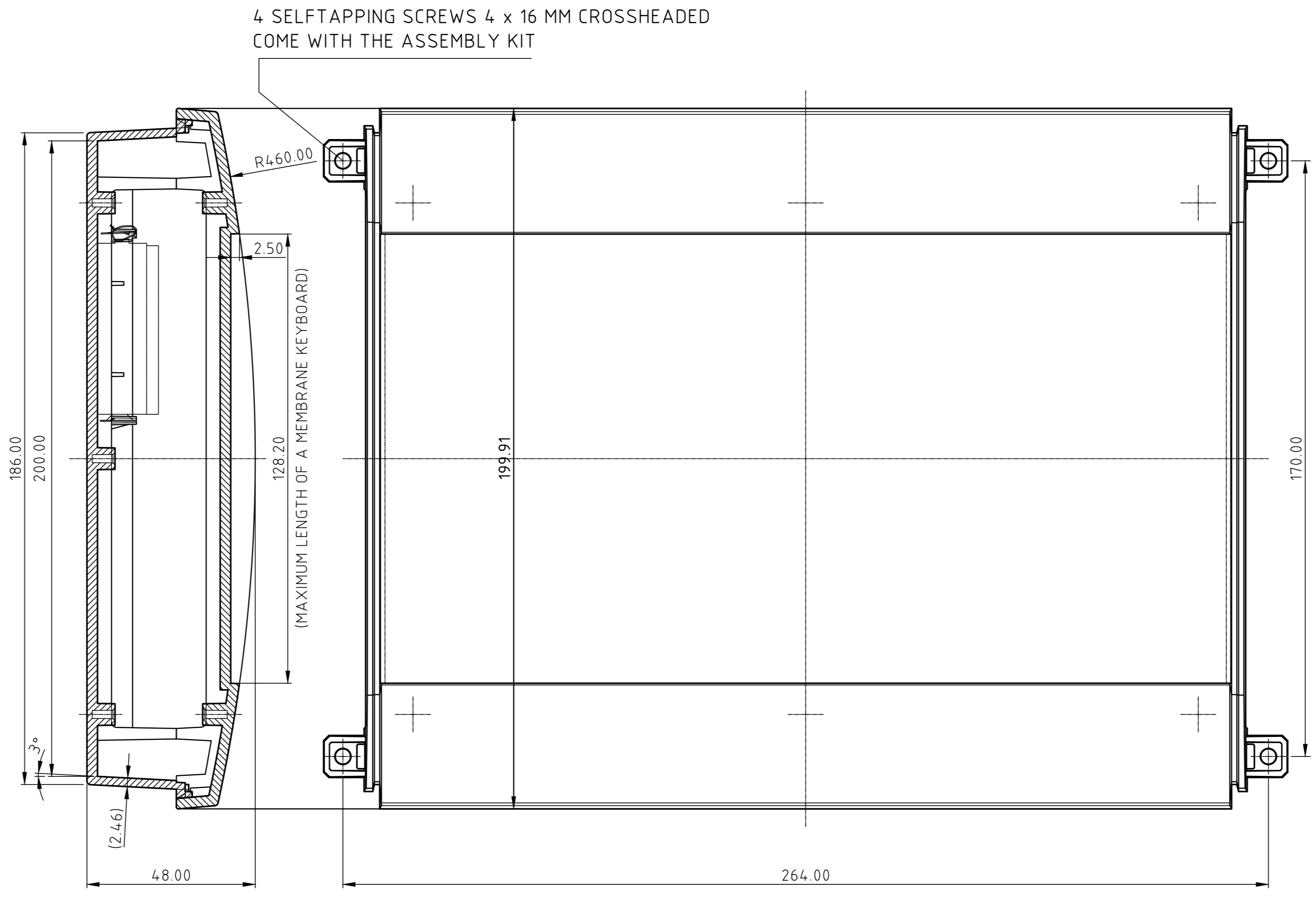
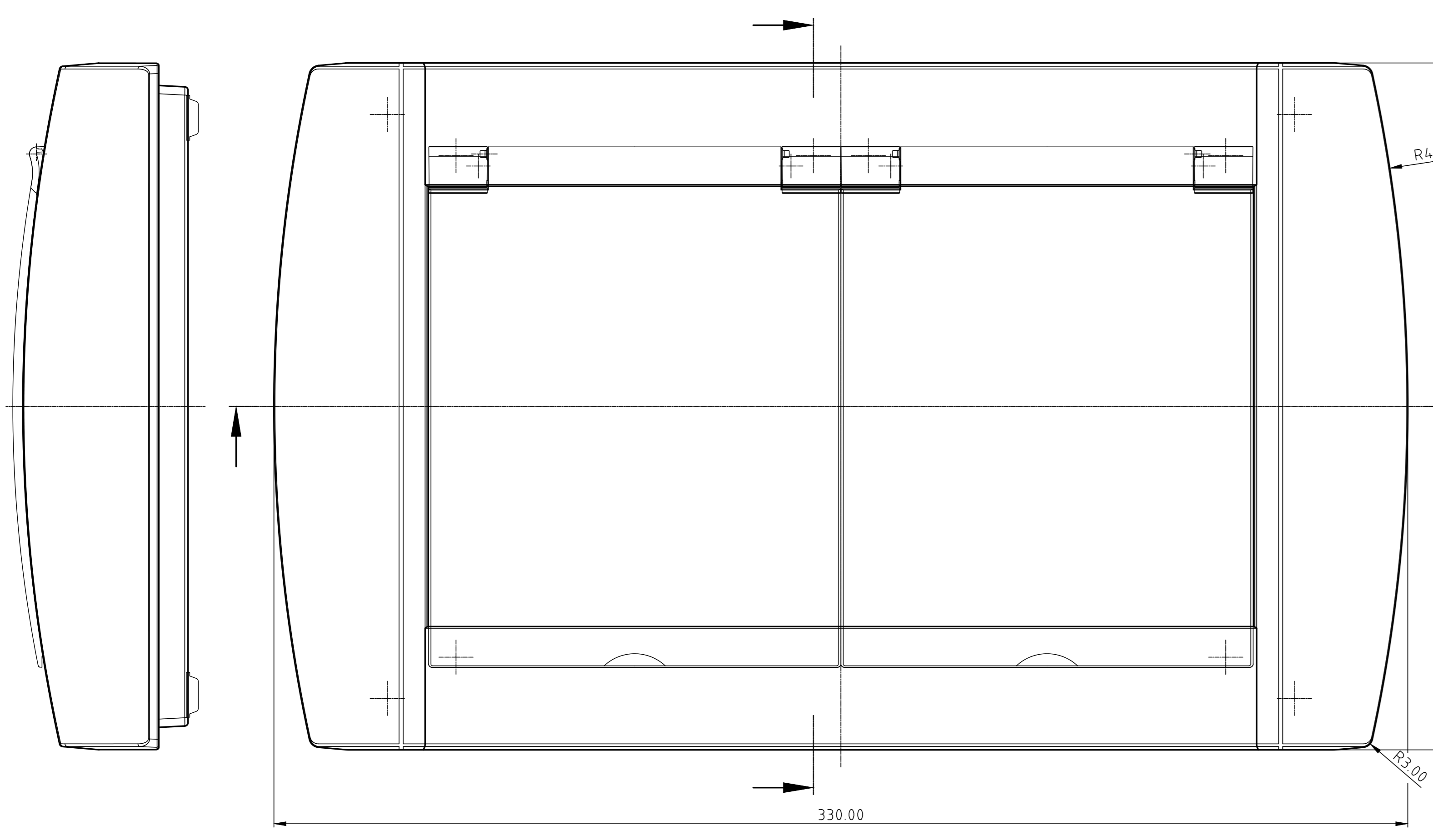
FIXING ELEMENTS FOR THE SNAP MECHANISM



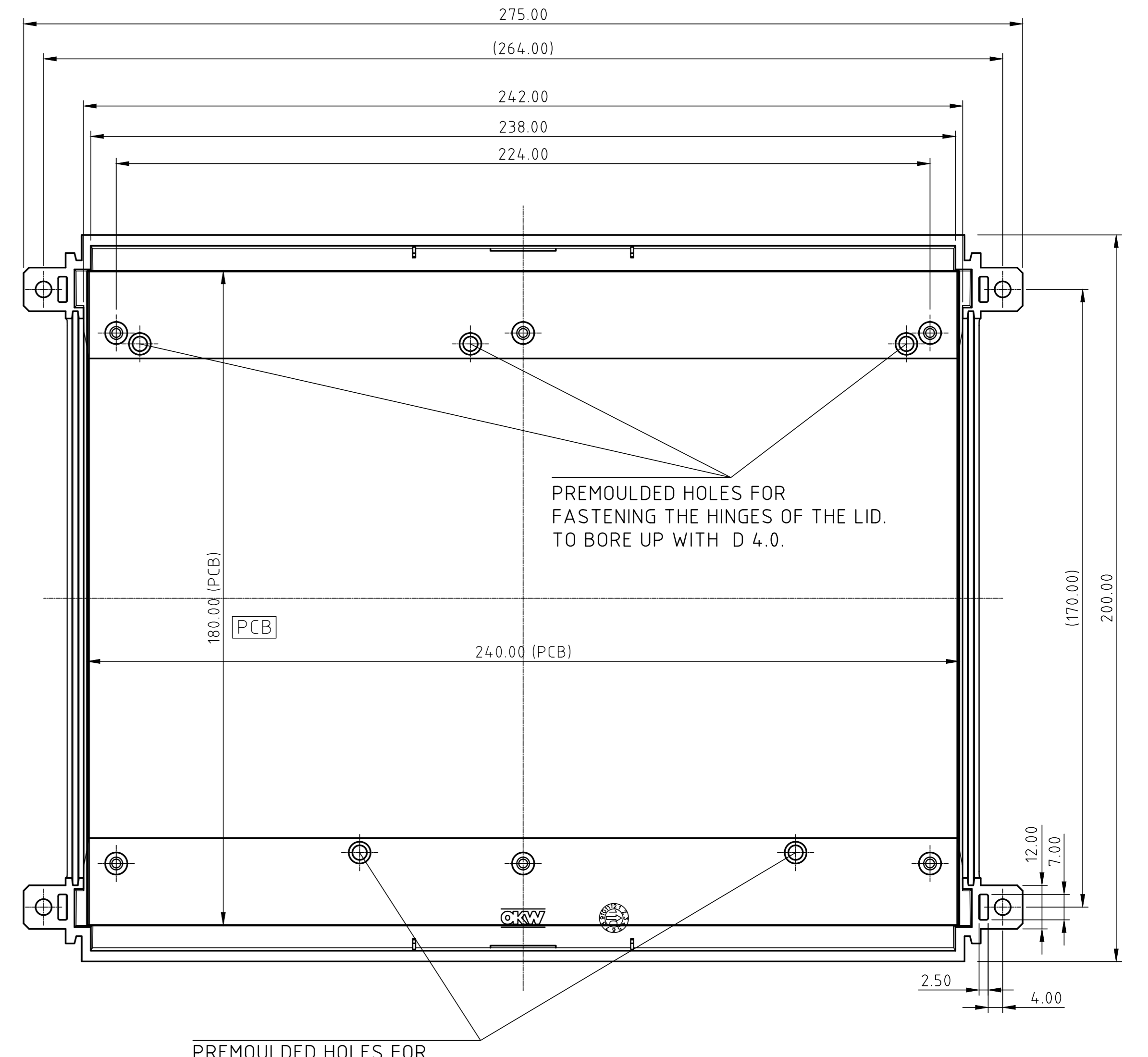
USE SELFTAPPING SCREWS E.G. 3 x 6 MM CROSSHEADED (A 03 06 031)



INTERNAL PARTITION PLATES



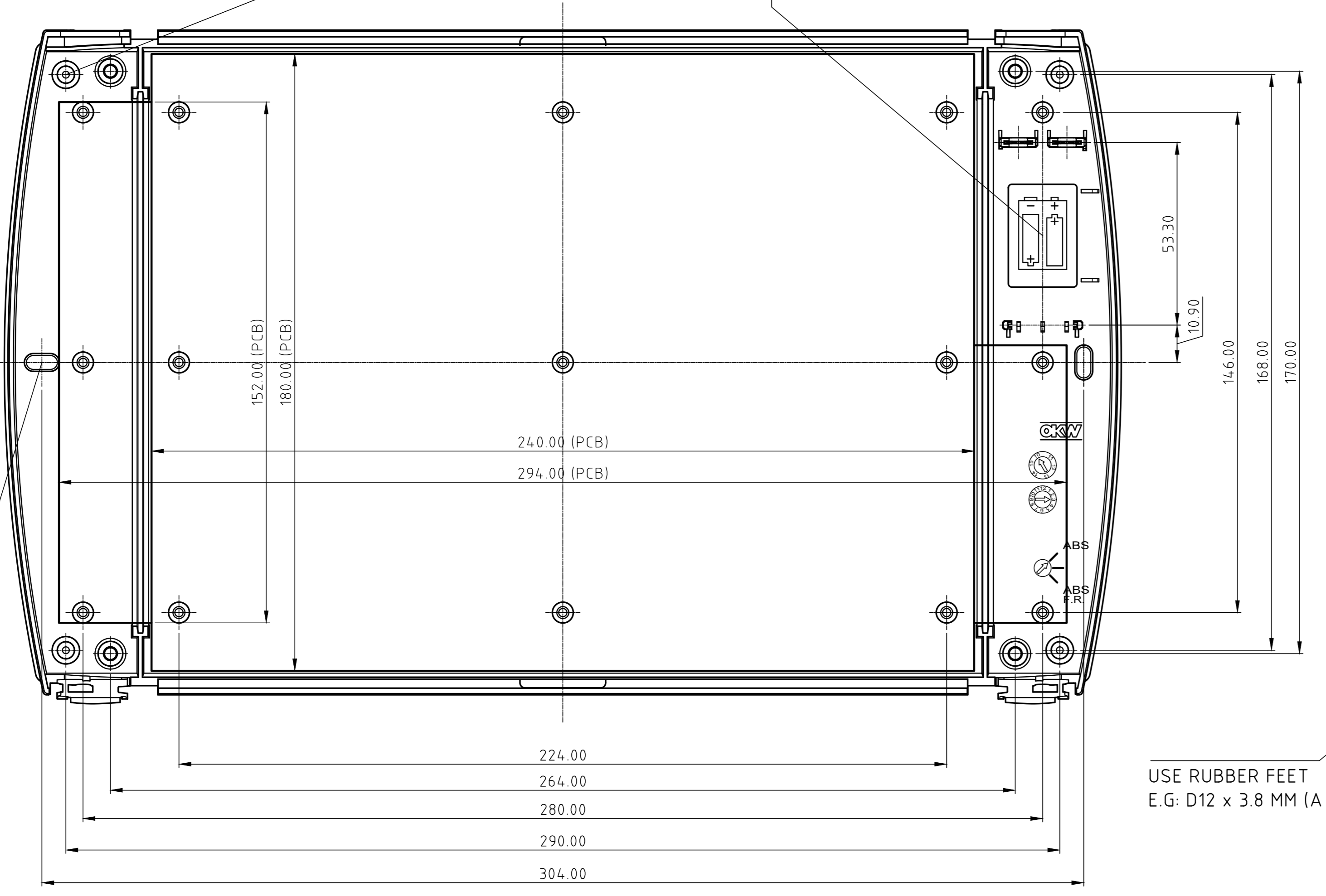
4 SELFTAPPING SCREWS 4 x 16 MM CROSSHEADED COME WITH THE ASSEMBLY KIT



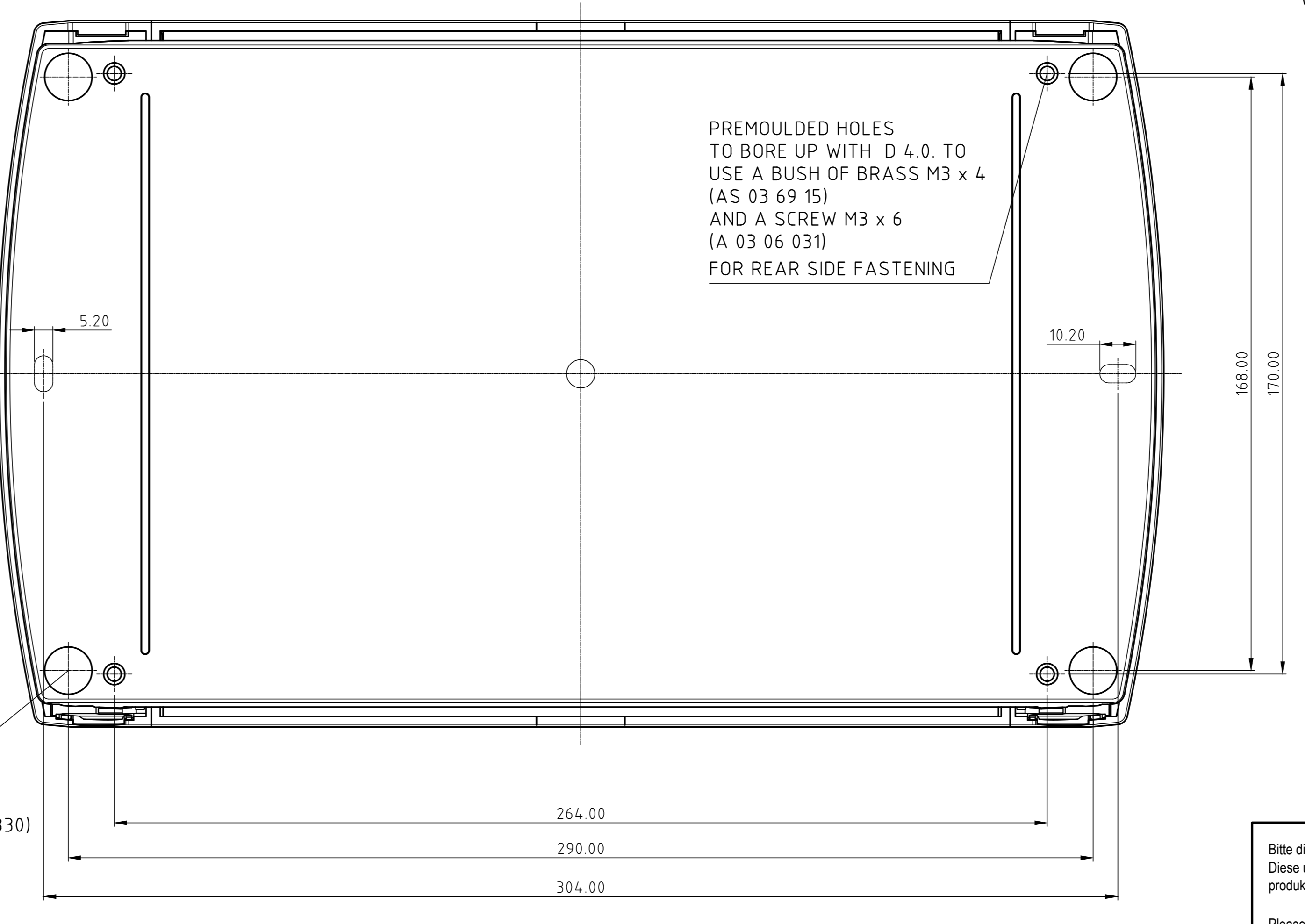
PREMOULDED HOLES FOR FASTENING THE HINGES OF THE LID. TO BORE UP WITH D 4.0.

PREMOULDED HOLES FOR FIXING THE HINGED LID. TO BORE UP WITH D 4.0. USE BUSH OF BRASS M3 x 4 (AS 03 69 15) AND A SCREW M3 x 8 (AS 05 07 47)

USE COUNTER SUNK SCREWS (E.G. SPAX)
SET OF BATTERY CLIPS FOR TWO 1.5V AA-ROUND-CELLS (A 91 90 002) PLUG IN CONTACT FOR ONE 9V FLAT-BATTERY (A 91 60 003)



USE SCREWS ACC. TO DIN 7981 (E.G. 4.2 or 4.8 x 25 MM)



PREMOULDED HOLES TO BORE UP WITH D 4.0. TO USE A BUSH OF BRASS M3 x 4 (AS 03 69 15) AND A SCREW M3 x 6 (A 03 06 031) FOR REAR SIDE FASTENING

USE RUBBER FEET E.G. D12 x 3.8 MM (A 92 12 330)

<p>Bitte die Maße an aktuellen Teilen abnehmen. Diese unterliegen material- und produktionsspezifischen Fertigungstoleranzen</p> <p>Technical information is not updated</p> <p>Informationen sind nicht aktualisiert</p>		<p>Copy for information</p> <p>Information for information</p>		<p>Rev: 02.2010</p> <p>Rev: 02</p> <p>Rev: 02</p> <p>Rev: 02</p>		<p>Rev: 02.2010</p> <p>Rev: 02</p> <p>Rev: 02</p> <p>Rev: 02</p>		<p>Rev: 02.2010</p> <p>Rev: 02</p> <p>Rev: 02</p> <p>Rev: 02</p>	
<p>Please take the dimensions from current parts. These are subject to material- and manufacturing-specific tolerances.</p> <p>Subject to technical modification without prior notice. Typographical and other errors do not justify any claim for damages. All dimensions should be verified using an actual moulded part.</p> <p>Sous réserve de modifications techniques. Toute erreur ou faute d'impression ne justifie aucune demande d'indemnisation. Nous prions les clients de vérifier les dimensions des composants avec les boîtiers avant le montage.</p>		<p>DIATEC L</p> <p>COMPLETE ENCLOSURE</p> <p>A9095***</p>		<p>GEHÄUSE SYSTEME</p>		<p>Rev: 02.2010</p> <p>Rev: 02</p> <p>Rev: 02</p> <p>Rev: 02</p>		<p>Rev: 02.2010</p> <p>Rev: 02</p> <p>Rev: 02</p> <p>Rev: 02</p>	