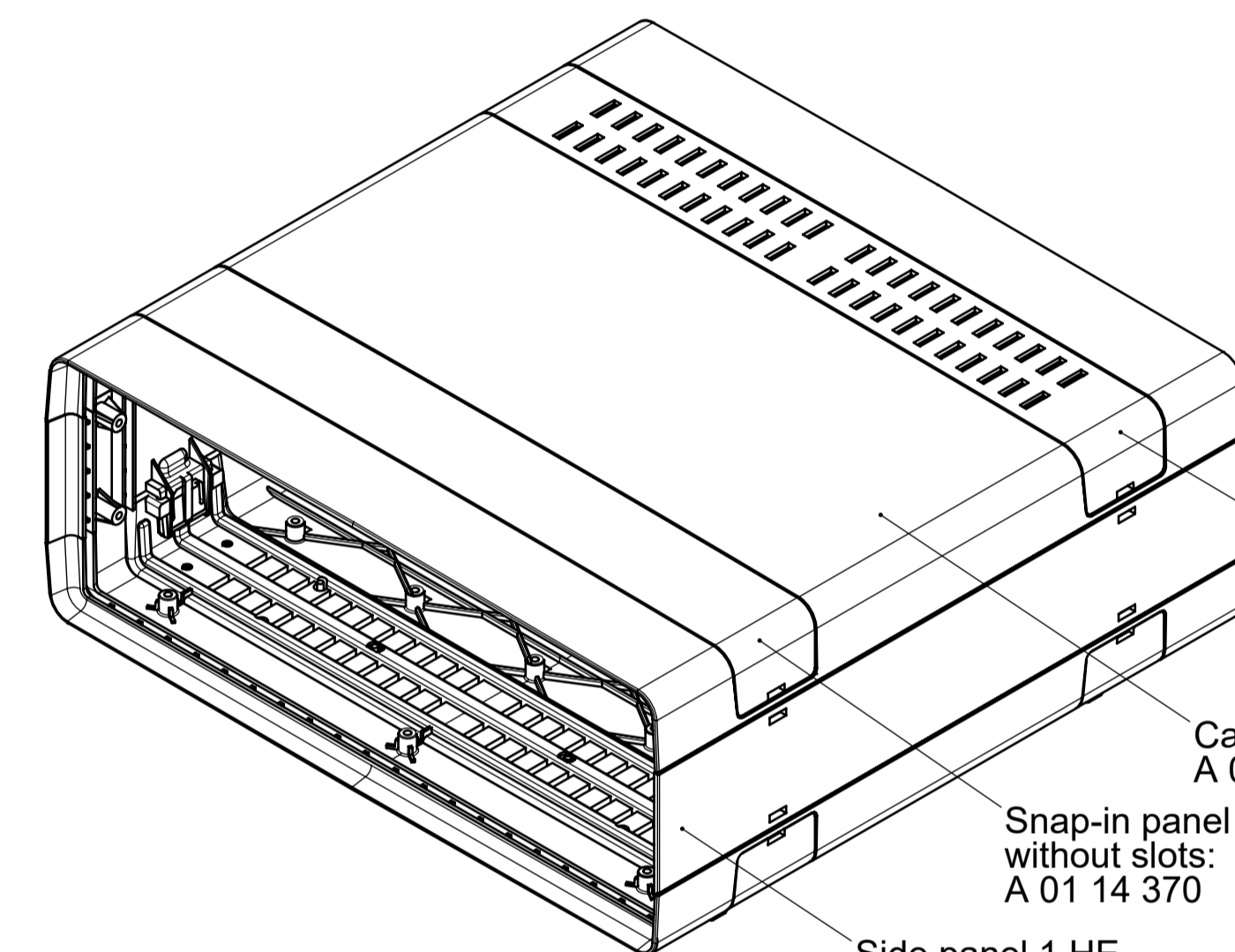
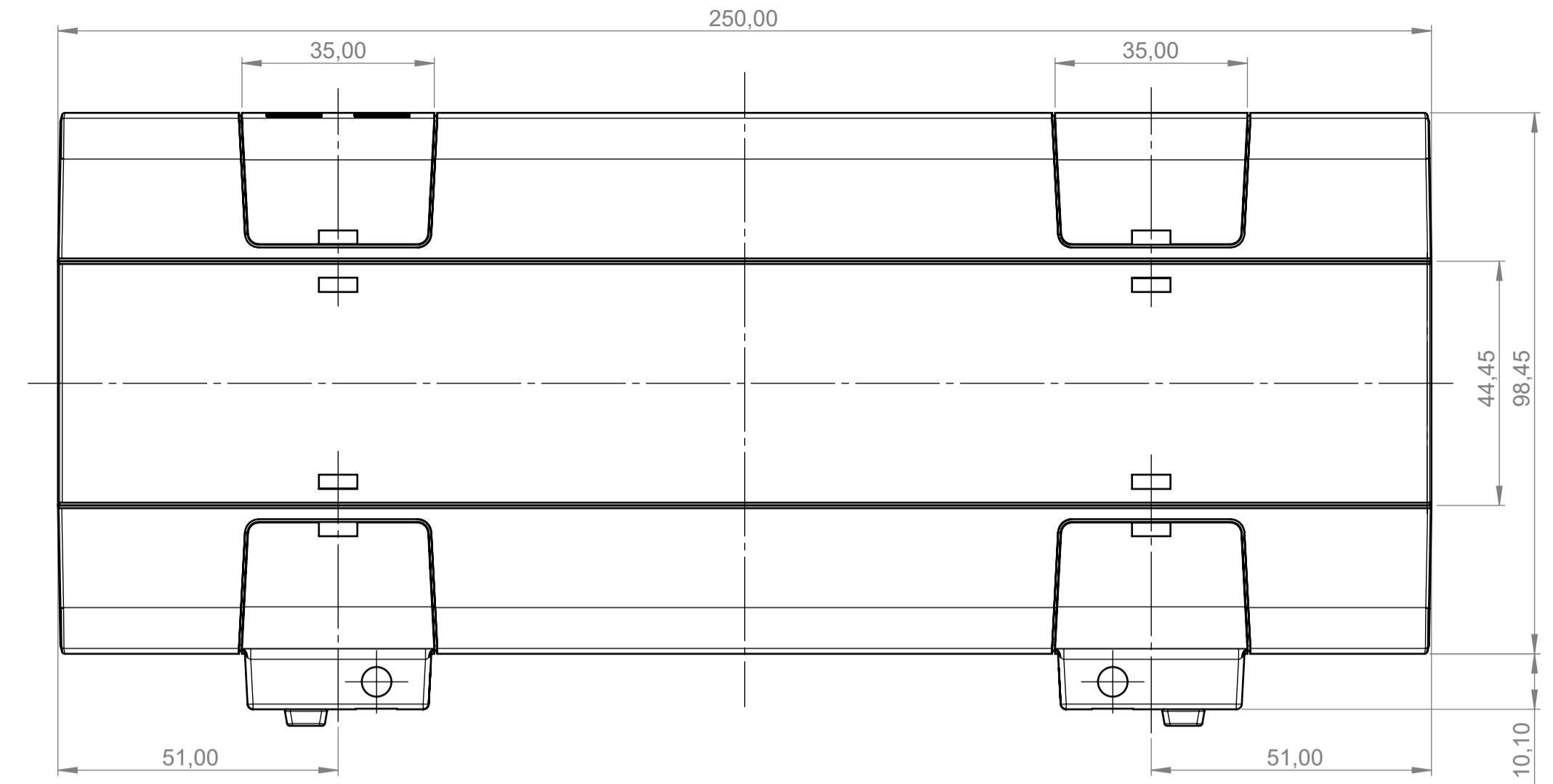
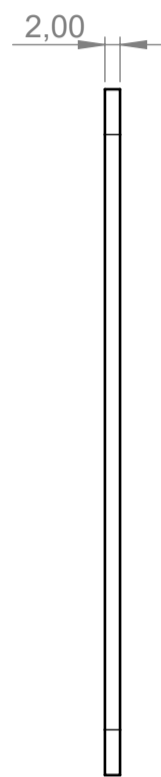
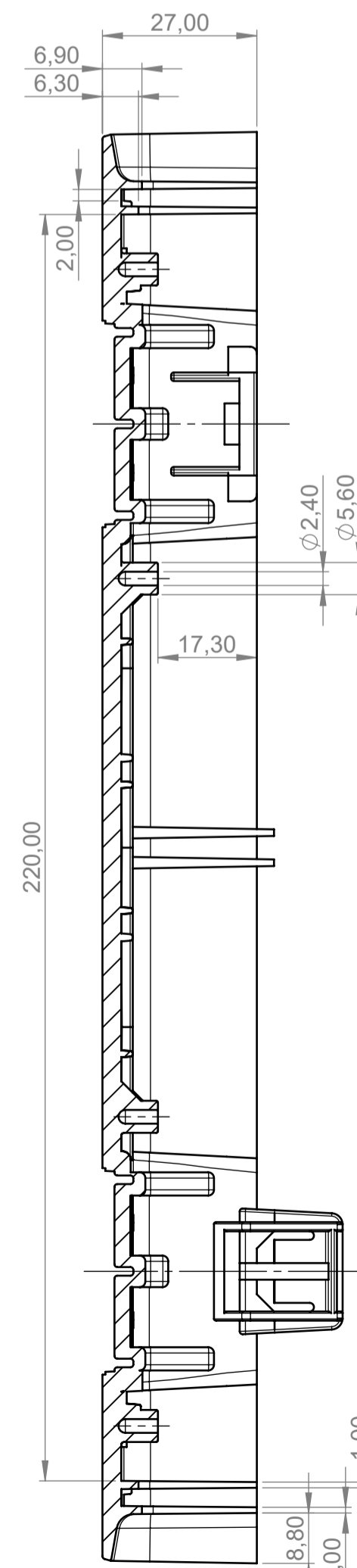
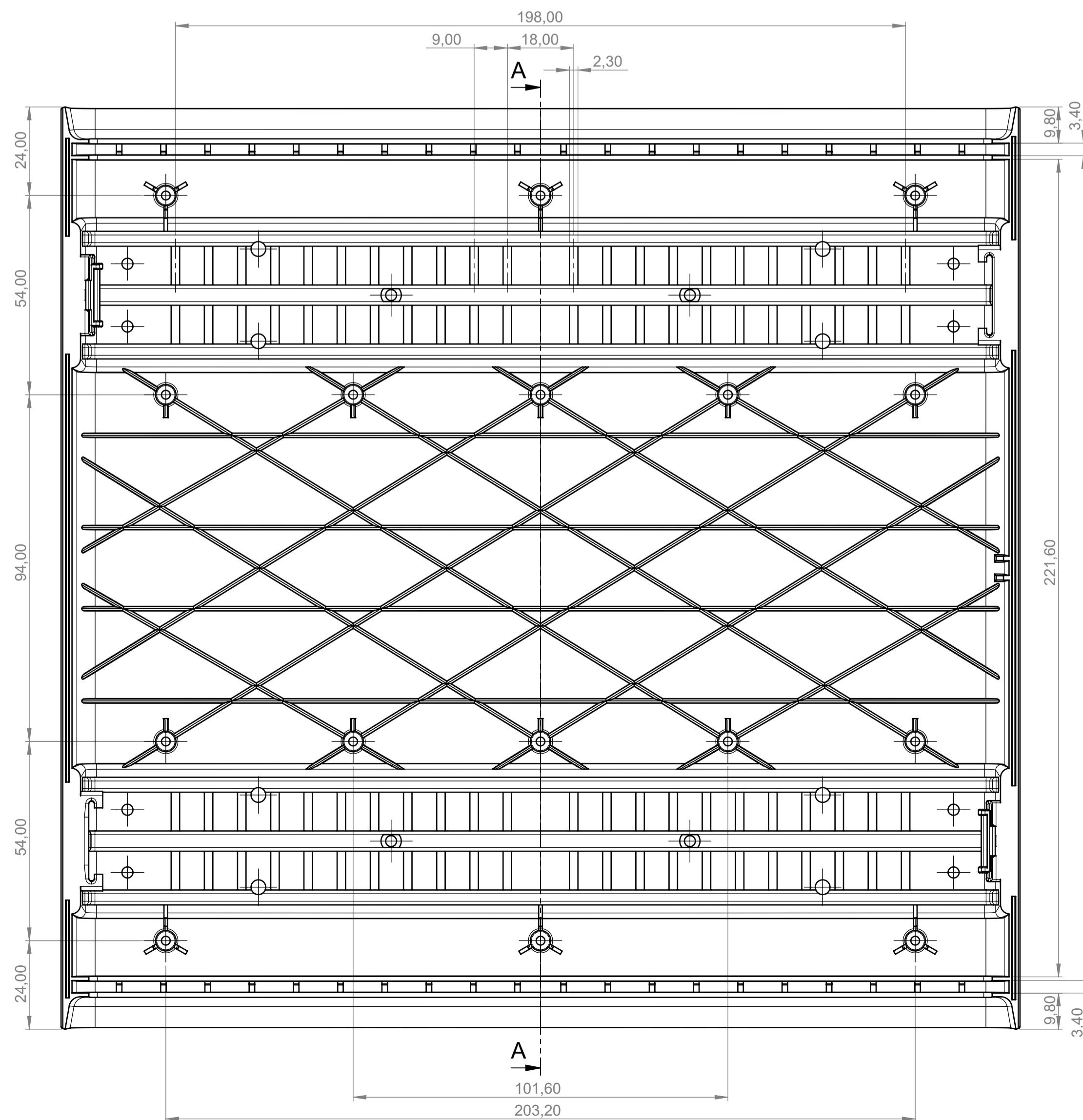
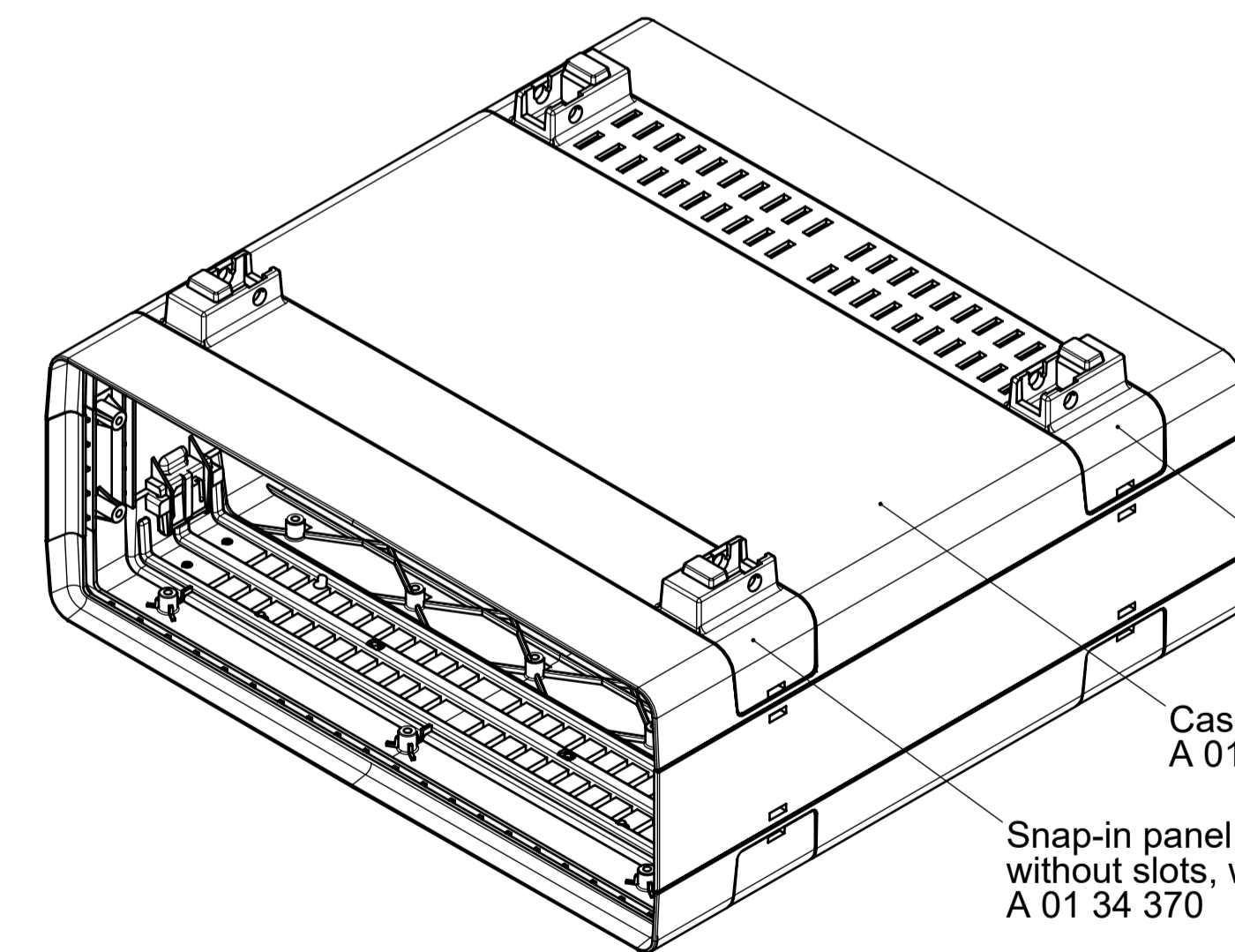


Front / rear panel: A 03 24 270



M.: 1:2



A-A

A 02 24 070	2x Case shell: A 01 14 170	2x Snap-in panel without slots, with feet: A 01 34 370	2x Snap-in panel without slots, with feet: A 01 34 370	2x Side panel 1 HE A 01 10 2*0
A 02 24 170	2x Case shell: A 01 14 170	1x Snap-in panel without slots, with feet: A 01 34 370 1x Snap-in panel with slots, with feet: A 01 44 370	1x Snap-in panel without slots, with feet: A 01 34 370 1x Snap-in panel with slots, with feet: A 01 44 370	2x Side panel 1 HE A 01 10 2*0
A 02 24 270	2x Case shell: A 01 14 170	2x Snap-in panel with slots, with feet: A 01 24 370	2x Snap-in panel with slots, with feet: A 01 44 370	2x Side panel 1 HE A 01 10 2*0

Bitte die Maße an aktuellen Teilen abnehmen. Diese unterliegen material- und produktionsspezifischen Fertigungstoleranzen.
Please take the dimensions from current parts. These are subject to material and manufacturing-specific tolerances.

Informationskopie wird nicht aktualisiert.
Copy for Information will not be updated.

Erst. am: 28.08.2007
Erst. von: Hasselb
Freig. am: 30.09.2013
Freig. von: D. Hasselbach
Revision: 01

Toleranzen: DIN 16901 T130
Volumen: KUNDE
Zeichnungsart: DIN 6 Teil 2

Status: SERIENFREIGABE
This document contains proprietary information of OKW Gehäusesysteme GmbH and is rendered subject to the conditions that the information be retained in confidence and is reproduced or copied and not be used or incorporated in any product.

OKW GEHÄUSE SYSTEME

EUROPA-GEHÄUSE 42 TE
EURO CASE 42 TE, 2 HE, without handle
A0224*70

M 1:1
Dateiname: 00009800