



THE PRODUCT

The MEDITEC family of cases is characterised by convincing design features.

Mitred corners emphasise the modern case design and technical refinement at the same time.

A clear form language allows universal application; distinctions can easily be implemented through layout or color design.

Identical surface finishes for shells, side panels, operating fronts as well as front and rear panels form the basis for a practical, large-volume case system for high-quality functional assemblies.

YOUR ADVANTAGE

High stability due to internal reinforcing grid.

Case design allows easy assembly.

Ergonomic sloped control panel with recessed area in order to protect the membrane keyboards. When using one side panel, the front cover ensures optimum closure of this gap.

Designed to eurocard-sizes, double and extended.

Recessed vertical guide positions for fitting additional mounting plates behind the front panel.

Side trims are attached laterally, optionally available without / with ventilation.

Textured plastic front and rear panels in the same color as the case, easy to machine.

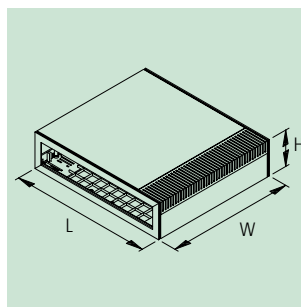
APPLICATIONS

Medical field and laboratory technology, feedback control, measuring and control peripherals, modems and interfaces, data collection.

PROTECTION CLASS IP 40

MAX. SIZE OF PCB

MEDITEC	L x W in inches
E160	5.118 x 7.283
E220	5.118 x 9.646
D160	10.236 x 7.283
D220	10.236 x 9.646



Off-white, RAL 9002
Side trims also in Lagoon, NCS S 1030-B70G

VARIABLE IN HEIGHT

Variable in overall height and versatile in the mounting of individual components.

The height can be increased by 1.969" when using the side panels (acc.). For additional heights two side panels can be assembled with one connector.

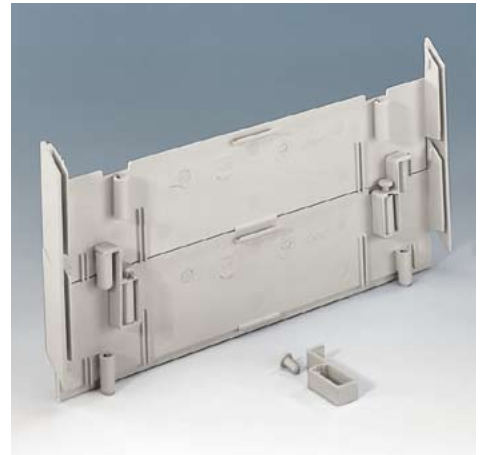


TABLE TOP, WALL MOUNTING AND MOBILE USE...

The ergonomically inclined sloping control panel allows the case to be mounted within the operator's reach. Displays and readouts are easily legible for all users involved – be it the mechanical engineer, the operator etc.

The handle bar gives desktop applications an ergonomically favourable angle. Assembly can be effected from the inside as well as from the outside. The adjustment mechanism allows increments of 30°. The handle bar can be removed in the 135° position. It can also be used for carrying the device.



MEDITEC

MEDITEC

COMPLETE ENCLOSURES

Part-No.		MEDITEC	Outside dim. in inches			side trims	Equipment		Material
without handle	with handle		L	W	H		side panels	side panels	
B 22 13 007	B 22 13 107	E 160	6.299	7.874	2.913	with ventilation	off-white	—	ABS (UL 94 HB)
B 22 13 005	B 22 13 105		6.299	7.874	2.913	with ventilation	lagoon	—	ABS (UL 94 HB)
B 22 13 017	B 22 13 117		6.299	7.874	2.913	without ventilation	off-white	—	ABS (UL 94 HB)
B 22 13 015	B 22 13 115		6.299	7.874	2.913	without ventilation	lagoon	—	ABS (UL 94 HB)
B 22 13 207	B 22 13 307		6.299	7.874	4.882	with ventilation	off-white	1 pc per side	ABS (UL 94 HB)
B 22 13 205	B 22 13 305		6.299	7.874	4.882	with ventilation	lagoon	1 pc per side	ABS (UL 94 HB)
B 22 13 217	B 22 13 317		6.299	7.874	4.882	without ventilation	off-white	1 pc per side	ABS (UL 94 HB)
B 22 13 215	B 22 13 315		6.299	7.874	4.882	without ventilation	lagoon	1 pc per side	ABS (UL 94 HB)
B 22 12 007	B 22 12 107	E 220	6.299	10.236	2.913	with ventilation	off-white	—	ABS (UL 94 HB)
B 22 12 005	B 22 12 105		6.299	10.236	2.913	with ventilation	lagoon	—	ABS (UL 94 HB)
B 22 12 017	B 22 12 117		6.299	10.236	2.913	without ventilation	off-white	—	ABS (UL 94 HB)
B 22 12 015	B 22 12 115		6.299	10.236	2.913	without ventilation	lagoon	—	ABS (UL 94 HB)
B 22 12 207	B 22 12 307		6.299	10.236	4.882	with ventilation	off-white	1 pc per side	ABS (UL 94 HB)
B 22 12 205	B 22 12 305		6.299	10.236	4.882	with ventilation	lagoon	1 pc per side	ABS (UL 94 HB)
B 22 12 217	B 22 12 317		6.299	10.236	4.882	without ventilation	off-white	1 pc per side	ABS (UL 94 HB)
B 22 12 215	B 22 12 315		6.299	10.236	4.882	without ventilation	lagoon	1 pc per side	ABS (UL 94 HB)
B 22 11 007	B 22 11 107	D 160	11.417	7.874	2.913	with ventilation	off-white	—	ABS (UL 94 HB)
B 22 11 005	B 22 11 105		11.417	7.874	2.913	with ventilation	lagoon	—	ABS (UL 94 HB)
B 22 11 017	B 22 11 117		11.417	7.874	2.913	without ventilation	off-white	—	ABS (UL 94 HB)
B 22 11 015	B 22 11 115		11.417	7.874	2.913	without ventilation	lagoon	—	ABS (UL 94 HB)
B 22 11 207	B 22 11 307		11.417	7.874	4.882	with ventilation	off-white	1 pc per side	ABS (UL 94 HB)
B 22 11 205	B 22 11 305		11.417	7.874	4.882	with ventilation	lagoon	1 pc per side	ABS (UL 94 HB)
B 22 11 217	B 22 11 317		11.417	7.874	4.882	without ventilation	off-white	1 pc per side	ABS (UL 94 HB)
B 22 11 215	B 22 11 315		11.417	7.874	4.882	without ventilation	lagoon	1 pc per side	ABS (UL 94 HB)
B 22 10 007	B 22 10 107	D 220	11.417	10.236	2.913	with ventilation	off-white	—	ABS (UL 94 HB)
B 22 10 005	B 22 10 105		11.417	10.236	2.913	with ventilation	lagoon	—	ABS (UL 94 HB)
B 22 10 017	B 22 10 117		11.417	10.236	2.913	without ventilation	off-white	—	ABS (UL 94 HB)
B 22 10 015	B 22 10 115		11.417	10.236	2.913	without ventilation	lagoon	—	ABS (UL 94 HB)
B 22 10 207	B 22 10 307		11.417	10.236	4.882	with ventilation	off-white	1 pc per side	ABS (UL 94 HB)
B 22 10 205	B 22 10 305		11.417	10.236	4.882	with ventilation	lagoon	1 pc per side	ABS (UL 94 HB)
B 22 10 217	B 22 10 317		11.417	10.236	4.882	without ventilation	off-white	1 pc per side	ABS (UL 94 HB)
B 22 10 215	B 22 10 315		11.417	10.236	4.882	without ventilation	lagoon	1 pc per side	ABS (UL 94 HB)

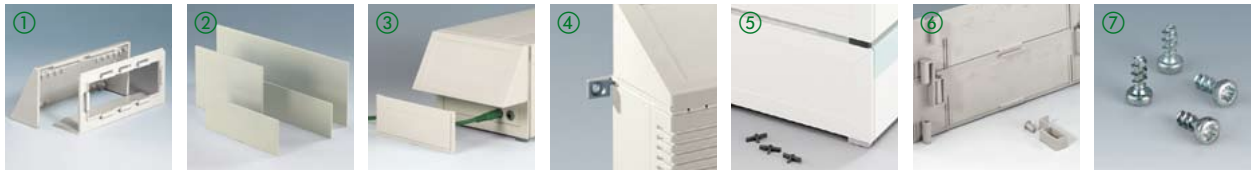
SEPARATE PARTS (FOR INDIVIDUAL COMBINATIONS)

Part-No.		Article	For enclosure MEDITEC	Version / Application		
without holes	with holes*1					
B 20 13 007	B 20 13 107	L-shells	E 160	ABS, off-white, 6.299" x 7.874" x 2.913", 2 pcs incl. assembly kit and feet		
B 20 12 007	B 20 12 107		E 220	ABS, off-white, 6.299" x 10.236" x 2.913", 2 pcs incl. assembly kit and feet		
B 20 11 007	B 20 11 107		D 160	ABS, off-white, 11.417" x 7.874" x 2.913", 2 pcs incl. assembly kit and feet		
B 20 10 007	B 20 10 107		D 220	ABS, off-white, 11.417" x 10.236" x 2.913", 2 pcs incl. assembly kit and feet		
B 20 31 007	B 20 31 107	Side panels	160	ABS, off-white, for 1.969" additional height, 2 pcs incl. screws		
B 20 30 007	B 20 30 107		220	ABS, off-white, for 1.969" additional height, 2 pcs incl. screws		
B 21 16 507		Handle bar	E	Side arms, off-white, push-buttons volcano, aluminum center section, 1 pc		
B 21 29 507			D	Side arms, off-white, push-buttons volcano, aluminum center section, 1 pc		
off-white		Side trims	160	ABS, without ventilation, 2 pcs		
B 20 22 007	B 20 22 005					
lagoon					220	ABS, with ventilation, 2 pcs
B 20 20 007	B 20 20 005					
B 20 23 007	B 20 23 005					
B 20 21 007	B 20 21 005					

*1 for mounting handle bar (separate article)

ACCESSORIES

Article	For enclosure MEDITEC	Version / Application	Part-No.
① Sloping control panel	E	ABS, off-white, RAL 9002, 2-part construction for easy access to component parts, max. dim. keypad 5.197"/10.303" x 2.598", 1 pc	B 21 16 007
	D		B 21 29 007
② Front / rear panel* ²	E (2.913" high)	flat, ABS, off-white, RAL 9002, 5.575" x 2.189" x 0.118", 1 pc	B 21 16 307
	E (4.882" high)	Z1, ABS, off-white, RAL 9002, 5.575" x 4.157" x 0.118", 1 pc	B 21 16 407
	D (2.913" high)	flat, ABS, off-white, RAL 9002, 10.693" x 2.189" x 0.118", 1 pc	B 21 29 307
	D (4.882" high)	Z1, ABS, off-white, RAL 9002, 10.693" x 4.157" x 0.118", 1 pc	B 21 29 407
③ Infill panel	E	to close the interior of the case when using MEDITEC cases with 1 panel per side (case height 4.882") + sloping control panel, ABS, off-white* ³	B 21 16 707
	D		B 21 29 707
④ Wall mounting brackets	E, D	for exterior wall mounting, PA, volcano, 4 pcs incl. screws	B 21 33 012
⑤ Stacking elements	E, D	for secure stacking of several devices, volcano, 4 pcs	B 21 34 012
⑥ Connectors	E, D	for secure connection of 2 side panels, simple pin and lock, 4 pcs	B 21 35 017
⑦ Set of screws	E, D	4 x Ø 0.098" x 0.236", for mounting PCBs	A 91 99 008



*² front / rear panel Z2 for case height 6.850" (cases with 2 side panels per side) on request

*³ can be used either above or below; closed at the front/rear with rear panel Z1 (separate article)