



## THE PRODUCT

The MEDITEC family of cases is characterized by convincing design features.

Mitred corners emphasise the modern case design and technical refinement at the same time.

A clear form language allows universal application; distinctions can easily be implemented through layout or colour design.

Identical surface finishes for shells, side panels, operating fronts as well as front and rear panels form the basis for a practical, large-volume case system for high-quality functional assemblies.

## YOUR ADVANTAGE

High stability due to internal reinforcing grid.

Case design allows easy assembly.

Ergonomic sloped control panel with recessed area in order to protect the membrane keyboards. When using one side panel, the front cover ensures optimum closure of this gap.

Designed to eurocard-sizes, double and extended.

Recessed vertical guide positions for fitting additional mounting plates behind the front panel.

Side trims are attached laterally, optionally available without / with ventilation.

Textured plastic front and rear panels in the same colour as the case, easy to machine.

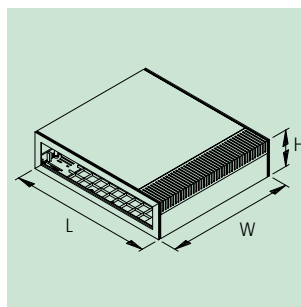
## APPLICATIONS

Medical field and laboratory technology, feedback control, measuring and control peripherals, modems and interfaces, data collection.

## PROTECTION CLASS IP 40

## MAX. SIZE OF PCB

MEDITEC	L x W in mm
E160	130 x 185
E220	130 x 245
D160	260 x 185
D220	260 x 245

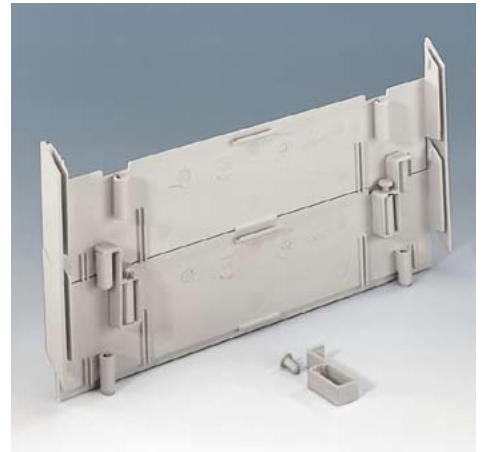


Off-white, RAL 9002  
 Side trims also in  
 Lagoon, NCS S 1030-B70G

## VARIABLE IN HEIGHT

Variable in overall height and versatile in the mounting of individual components.

The height can be increased by 50 mm when using the side panels (acc.). For additional heights two side panels can be assembled with one connector.



## TABLE TOP, WALL MOUNTING AND MOBILE USE...

The ergonomically inclined sloping control panel allows the case to be mounted within the operator's reach. Displays and readouts are easily legible for all users involved – be it the mechanical engineer, the operator etc.

The handle bar gives desktop applications an ergonomically favourable angle. Assembly can be effected from the inside as well as from the outside. The adjustment mechanism allows increments of 30°. The handle bar can be removed in the 135° position. It can also be used for carrying the device.



MEDITEC

MEDITEC

## COMPLETE ENCLOSURES

Part-No.		MEDITEC	Outside dim. in mm			Equipment		Material		
without handle	with handle		L	W	H	side trims	side panels			
B 22 13 007	B 22 13 107	E 160	160	200	74	with ventilation	off-white	–	ABS (UL 94 HB)	
B 22 13 005	B 22 13 105		160	200	74	with ventilation	lagoon	–	ABS (UL 94 HB)	
B 22 13 017	B 22 13 117		160	200	74	without ventilation	off-white	–	ABS (UL 94 HB)	
B 22 13 015	B 22 13 115		160	200	74	without ventilation	lagoon	–	ABS (UL 94 HB)	
B 22 13 207	B 22 13 307		160	200	124	with ventilation	off-white	1 pc per side	ABS (UL 94 HB)	
B 22 13 205	B 22 13 305		160	200	124	with ventilation	lagoon	1 pc per side	ABS (UL 94 HB)	
B 22 13 217	B 22 13 317		160	200	124	without ventilation	off-white	1 pc per side	ABS (UL 94 HB)	
B 22 13 215	B 22 13 315		160	200	124	without ventilation	lagoon	1 pc per side	ABS (UL 94 HB)	
B 22 12 007	B 22 12 107		E 220	160	260	74	with ventilation	off-white	–	ABS (UL 94 HB)
B 22 12 005	B 22 12 105			160	260	74	with ventilation	lagoon	–	ABS (UL 94 HB)
B 22 12 017	B 22 12 117	160		260	74	without ventilation	off-white	–	ABS (UL 94 HB)	
B 22 12 015	B 22 12 115	160		260	74	without ventilation	lagoon	–	ABS (UL 94 HB)	
B 22 12 207	B 22 12 307	160		260	124	with ventilation	off-white	1 pc per side	ABS (UL 94 HB)	
B 22 12 205	B 22 12 305	160		260	124	with ventilation	lagoon	1 pc per side	ABS (UL 94 HB)	
B 22 12 217	B 22 12 317	160		260	124	without ventilation	off-white	1 pc per side	ABS (UL 94 HB)	
B 22 12 215	B 22 12 315	160		260	124	without ventilation	lagoon	1 pc per side	ABS (UL 94 HB)	
B 22 11 007	B 22 11 107	D 160		290	200	74	with ventilation	off-white	–	ABS (UL 94 HB)
B 22 11 005	B 22 11 105			290	200	74	with ventilation	lagoon	–	ABS (UL 94 HB)
B 22 11 017	B 22 11 117		290	200	74	without ventilation	off-white	–	ABS (UL 94 HB)	
B 22 11 015	B 22 11 115		290	200	74	without ventilation	lagoon	–	ABS (UL 94 HB)	
B 22 11 207	B 22 11 307		290	200	124	with ventilation	off-white	1 pc per side	ABS (UL 94 HB)	
B 22 11 205	B 22 11 305		290	200	124	with ventilation	lagoon	1 pc per side	ABS (UL 94 HB)	
B 22 11 217	B 22 11 317		290	200	124	without ventilation	off-white	1 pc per side	ABS (UL 94 HB)	
B 22 11 215	B 22 11 315		290	200	124	without ventilation	lagoon	1 pc per side	ABS (UL 94 HB)	
B 22 10 007	B 22 10 107		D 220	290	260	74	with ventilation	off-white	–	ABS (UL 94 HB)
B 22 10 005	B 22 10 105			290	260	74	with ventilation	lagoon	–	ABS (UL 94 HB)
B 22 10 017	B 22 10 117	290		260	74	without ventilation	off-white	–	ABS (UL 94 HB)	
B 22 10 015	B 22 10 115	290		260	74	without ventilation	lagoon	–	ABS (UL 94 HB)	
B 22 10 207	B 22 10 307	290		260	124	with ventilation	off-white	1 pc per side	ABS (UL 94 HB)	
B 22 10 205	B 22 10 305	290		260	124	with ventilation	lagoon	1 pc per side	ABS (UL 94 HB)	
B 22 10 217	B 22 10 317	290		260	124	without ventilation	off-white	1 pc per side	ABS (UL 94 HB)	
B 22 10 215	B 22 10 315	290		260	124	without ventilation	lagoon	1 pc per side	ABS (UL 94 HB)	

## SEPARATE PARTS (FOR INDIVIDUAL COMBINATIONS)

Part-No.		Article	For enclosure MEDITEC	Version / Application						
without holes	with holes*1									
B 20 13 007	B 20 13 107	L-shells	E 160	ABS, off-white, 160 x 200 x 74 mm, 2 pcs incl. assembly kit and feet						
B 20 12 007	B 20 12 107		E 220	ABS, off-white, 160 x 260 x 74 mm, 2 pcs incl. assembly kit and feet						
B 20 11 007	B 20 11 107		D 160	ABS, off-white, 290 x 200 x 74 mm, 2 pcs incl. assembly kit and feet						
B 20 10 007	B 20 10 107		D 220	ABS, off-white, 290 x 260 x 74 mm, 2 pcs incl. assembly kit and feet						
B 20 31 007	B 20 31 107	Side panels	160	ABS, off-white, for 50 mm additional height, 2 pcs incl. screws						
B 20 30 007	B 20 30 107		220	ABS, off-white, for 50 mm additional height, 2 pcs incl. screws						
B 21 16 507		Handle bar	E	Side arms, off-white, push-buttons volcano, aluminium centre section, 1 pc						
B 21 29 507			D	Side arms, off-white, push-buttons volcano, aluminium centre section, 1 pc						
off-white		Side trims	160	ABS, without ventilation, 2 pcs						
lagoon					220	ABS, without ventilation, 2 pcs				
B 20 22 007	B 20 22 005						160	ABS, with ventilation, 2 pcs		
B 20 20 007	B 20 20 005								220	ABS, with ventilation, 2 pcs
B 20 23 007	B 20 23 005									
B 20 21 007	B 20 21 005	220	ABS, with ventilation, 2 pcs							

\*1 for mounting handle bar (separate article)

## ACCESSORIES

Article	For enclosure MEDITEC	Version / Application	Part-No.
① Sloping control panel	E	ABS, off-white, RAL 9002, 2-part construction for easy access to component parts, max. dim. keypad 132.00/261.70 x 66.00 mm, 1 pc	B 21 16 007
	D		B 21 29 007
② Front / rear panel* <sup>2</sup>	E (74 mm high)	flat, ABS, off-white, RAL 9002, 141.6 x 55.6 x 3 mm, 1 pc	B 21 16 307
	E (124 mm high)	Z1, ABS, off-white, RAL 9002, 141.6 x 105.6 x 3 mm, 1 pc	B 21 16 407
	D (74 mm high)	flat, ABS, off-white, RAL 9002, 271.6 x 55.6 x 3 mm, 1 pc	B 21 29 307
	D (124 mm high)	Z1, ABS, off-white, RAL 9002, 271.6 x 105.6 x 3 mm, 1 pc	B 21 29 407
③ Infill panel	E	to close the interior of the case when using MEDITEC cases with 1 panel per side (case height 124 mm) + sloping control panel, ABS, off-white* <sup>3</sup>	B 21 16 707
	D		B 21 29 707
④ Wall mounting brackets	E, D	for exterior wall mounting, PA, volcano, 4 pcs incl. screws	B 21 33 012
⑤ Stacking elements	E, D	for secure stacking of several devices, volcano, 4 pcs	B 21 34 012
⑥ Connectors	E, D	for secure connection of 2 side panels, simple pin and lock, 4 pcs	B 21 35 017
⑦ Set of screws	E, D	4 x ø 2.5 x 6 mm, for mounting PCBs	A 91 99 008



\*<sup>2</sup> front / rear panel Z2 for case height 174 mm (cases with 2 side panels per side) on request

\*<sup>3</sup> can be used either above or below; closed at the front/rear with rear panel Z1 (separate article)