



THE PRODUCT

The name HAND-HELD-BOX stands for tried and tested, low-priced cases for measuring instruments of handy pocket size.

The cases are particularly ergonomic and are also operator-friendly.

The applied individuality meets special requirements, depending on the suitability and application.

YOUR ADVANTAGE

Prepared for mounting of digital or analog display modules.

Display windows protect the integrated displays. Simple assembly with adhesive foil.

User-friendly design.

Snap-in battery compartment lid for quick battery exchange.

With or without switch cap (P).

Raised front area on the bottom part to accommodate plugs.

Prepared for the mounting of PCBs.

Recessed operating area for the protection of the operating elements and the membrane keyboard (M, N).

APPLICATIONS

Useful hand-held-boxes for mounting of digital or analog instruments.

Versatily usable in the measuring and control technology, e.g. continuity checker and volt meter, field intensity meter, digital thermometers etc.



PROTECTION CLASS < IP 40

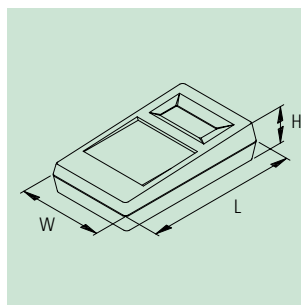
MAX. SIZE OF PCB

HAND-HELD-BOX	L x W in inches	
	bottom part	top part
P	4.173 x 2.795	4.173 x 2.835
M	4.016 x 2.795	4.173 x 2.795
N (vers. I)	4.291 x 3.583	6.654 x 3.583
N (vers. II)	6.614 x 3.583	6.654 x 3.583

(cutouts for pillars not taken into consideration)



Off-white, RAL 9002 
Black, RAL 9005 



ENCLOSURES

HAND-HELD BOX	Outside dim. in inches			Version / Equipment (dim. in inches)			Material	Part-No.		
	L	W	H	battery comp.	display cutout	max. dim. keypad		off-white	black	
P	5.709	3.150	1.437/1.161	I* ¹	1 x 9 V / 1 x C* ³	1.969 x 0.787	–	ABS (UL 94 HB)	A 90 60 007	A 90 60 009
	5.709	3.150	1.437/1.161	II* ²	1 x 9 V / 1 x C* ³	1.969 x 0.787	–	ABS (UL 94 HB)	A 90 60 017	A 90 60 019
M	5.709	3.150	1.516/1.240	I	1 x 9 V / 1 x C* ³	1.969 x 0.787	2.559 x 2.555	ABS (UL 94 HB)	A 90 62 017	A 90 62 019
N	7.087	3.937	1.732/1.398	I	2 x 9 V / 4 x AA	2.559 x 0.906	2.957 x 3.150	ABS (UL 94 HB)	A 90 61 017	A 90 61 019
	7.087	3.937	1.732/1.398	II	–	2.559 x 0.906	2.957 x 3.150	ABS (UL 94 HB)	A 90 61 117	A 90 61 119

ACCESSORIES

Article	For enclosure HAND-HELD-BOX	Version / Application	Part-No.
① Set of battery clips	N	nickel-plated, for 4 x 1.5 V mignon cells (AA)	A 91 90 013
② Plug-in contact	P, M, N	for 1 x 9 V flat battery	A 91 60 003
③ Switch cap	P	black, for rocker switch application	A 91 60 009
	P	off-white, for rocker switch application	A 91 60 007
④ Cover plug	P, M	black, for the screw holes in the bottom, 4 pcs each case necessary	A 91 60 002
⑤ Tilt foot bar* ⁴	N	steel, for ergonomic canting	A 93 61 009
⑥ Display window	P	plexiglass transparent	A 91 60 004
	M	plexiglass transparent	A 91 60 005
	N	plexiglass transparent	A 91 61 004
⑦ Adhesive foil	P, M	transparent, for fastening the display window (from the rear)	A 91 60 006
	N	transparent, for fastening the display window (from the rear)	A 91 61 005
⑧ Ring eyelet	P, M, N	plastic, volcano, inside ring diameter 0.157", max. wall thickness 0.157", location hole ø 0.197" required	A 91 00 002



*¹ with lateral recess for rocker switch (accessory)

*² without lateral recess for rocker switch

*³ the 1.5 V baby cell is contacted by means of a soldering contact

*⁴ suitable tilt foot bar made of plastic for HAND-HELD-BOXES P and M see accessory on page 104

*⁵ complies with DIN EN 60601 (short circuit caused by incorrect insertion of batteries impossible)

NEW PRODUCT