



## THE PRODUCT

Conceived as a dual case system, the ROBUST-BOX range offers a variety of installation options.

Both case shells are equipped with premoulded threads. You as the user can now decide whether the flat or the high part of the case is to be used as the bottom part.

## YOUR ADVANTAGE

Two standard materials (UL 94 HB):  
ABS – approved as a terminal mounting case or in Polycarbonate – a solid and robust case, with high heat resistance for use in adverse environments.

Easy-assembly construction. The case shells can be used as either top or base section.

The cover fixings are outside of the sealed area. The fixing screws are rust proof and captured in the cover.

There is an area recessed by min. 0.8 mm for the mounting of membrane keyboards.

Colourful cover strips for coding (as an alternative to the standard version in light grey).

Applicable as desktop case and wall mounting case.

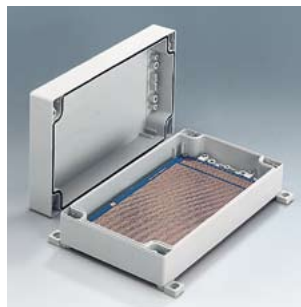
## APPLICATIONS

This case system is especially suitable for a wide range of **electric installations**, e.g. heating, climate, ventilation, machine building and construction units.

But it can also be used in the **electronics sector**, e.g. as push-button case, for controllers, sensors in the interior etc.

## PROTECTION CLASS IP 66

With sealing (supplied with the case).

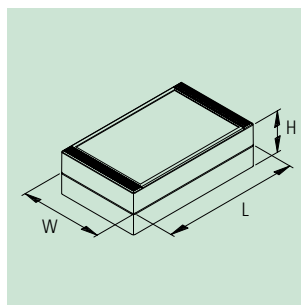
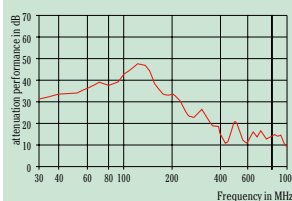


One-coloured  
Light grey, RAL 7035

Accessory  
cover strips in  
Silver grey, RAL 7001  
Red, RAL 3020  
Yellow, RAL 1023  
Green, RAL 6024  
Blue, RAL 5017



Robust-Box C 21 12 202 with al-metallization  
(al metallization on demand)



## ROBUST-BOX WIDTH 80

Outside dim. in mm

Length	Width	Height
80	80	60/80
120	80	60/80
160	80	60/80
240	80	60/80



## ROBUST-BOX WIDTH 120

Outside dim. in mm

Length	Width	Height
120	120	60/90
200	120	60/90
240	120	60/90



## ROBUST-BOX WIDTH 160

Outside dim. in mm

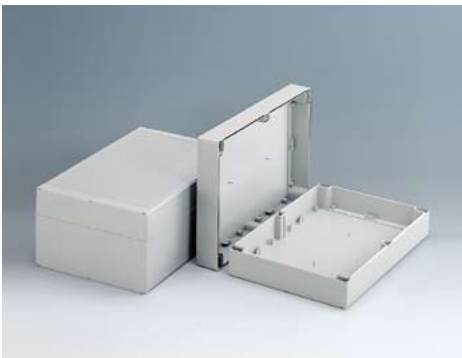
Length	Width	Height
160	160	60/90
240	160	60/90
240	160	120



## ROBUST-BOX WIDTH 200

Outside dim. in mm

Length	Width	Height
300	200	80/120/160



## ROBUST-BOX WIDTH 240

Outside dim. in mm

Length	Width	Height
360	240	80/120/160



ROBUST-BOX

ROBUST-BOX

## COMPLETE ENCLOSURES\*1

Part-No.		ROBUST-BOX	Outside dim. in mm			max. size of PCB*2 shell "T"	Equipment (dim. in mm)	
version I (ABS)	version II (PC)		L	W	H		max. size of PCB*2 shell "G"	dim. keypad
C 20 08 081	C 20 08 082	width 80	80	80	60	40 x 65	40 x 65	42.70 x 65.60
C 21 08 081	C 21 08 082		80	80	80	40 x 65	40 x 65	42.70 x 65.60
C 20 08 121	C 20 08 122		120	80	60	80 x 65	80 x 65	82.65 x 65.60
C 21 08 121	C 21 08 122		120	80	80	80 x 65	80 x 65	82.65 x 65.60
C 20 08 161	C 20 08 162		160	80	60	120 x 65	120 x 65	122.60 x 65.65
C 21 08 161	C 21 08 162		160	80	80	120 x 65	120 x 65	122.60 x 65.65
C 20 08 241	C 20 08 242		240	80	60	200 x 65	200 x 65	202.70 x 65.60
C 21 08 241	C 21 08 242	240	80	80	200 x 65	200 x 65	202.70 x 65.60	
C 20 12 121	C 20 12 122	width 120	120	120	60	80 x 105	80 x 105	82.70 x 105.50
C 21 12 121	C 21 12 122		120	120	90	80 x 105	80 x 105	82.70 x 105.50
C 20 12 201	C 20 12 202		200	120	60	160 x 105	160 x 105	162.60 x 105.50
C 21 12 201	C 21 12 202		200	120	90	160 x 105	160 x 105	162.60 x 105.50
C 20 12 241	C 20 12 242		240	120	60	200 x 105	200 x 105	202.65 x 105.40
C 21 12 241	C 21 12 242	240	120	90	200 x 105	200 x 105	202.65 x 105.40	
C 20 16 161	C 20 16 162	width 160	160	160	60	120 x 145	120 x 145	122.60 x 145.50
C 21 16 161	C 21 16 162		160	160	90	120 x 145	120 x 145	122.60 x 145.50
C 20 16 241	C 20 16 242		240	160	60	200 x 145	200 x 145	202.50 x 145.50
C 21 16 241	C 21 16 242	240	160	90	200 x 145	200 x 145	202.50 x 145.65	
C 24 16 241	C 24 16 242	240	160	120	200 x 142	203 x 149	202.50 x 145.50	
C 21 20 301	—	width 200	300	200	80	266 x 167	264 x 168	262.60 x 171.75
C 24 20 301	—		300	200	120	266 x 165	264 x 168	262.60 x 171.75
C 25 20 301	—		300	200	160	266 x 165	264 x 167	262.60 x 171.75
C 21 24 361	—	width 240	360	240	80	327 x 207	325 x 208	322.90 x 211.90
C 24 24 361	—		360	240	120	327 x 205	325 x 208	322.90 x 211.90
C 25 24 361	—		360	240	160	326 x 205	324 x 207	322.90 x 211.90

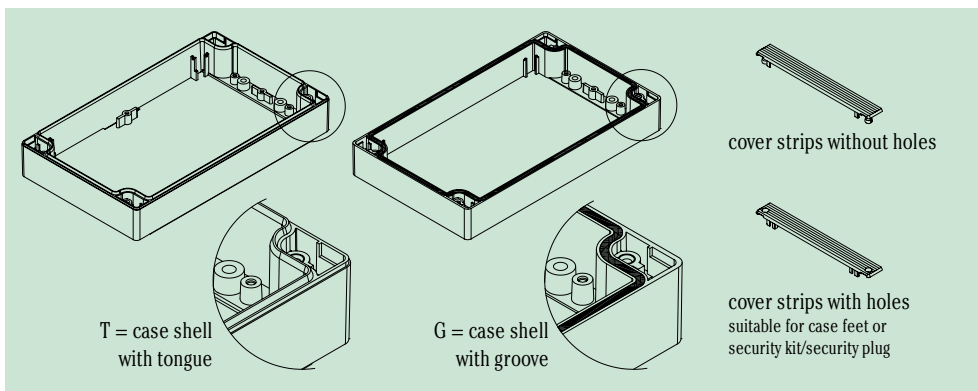
## SEPARATE PARTS (SINGLE PIECES)

Shell width 80, ABS RAL 7035			Shell width 80, PC RAL 7035			L x W in mm		
T (H = 40)	G (H = 20)	G (H = 40)	T (H = 40)	G (H = 20)	G (H = 40)			
C 10 80 801	C 00 80 801	C 20 80 801	C 10 80 802	C 00 80 802	C 20 80 802	80 x 80		
C 10 81 201	C 00 81 201	C 20 81 201	C 10 81 202	C 00 81 202	C 20 81 202	120 x 80		
C 10 81 601	C 00 81 601	C 20 81 601	C 10 81 602	C 00 81 602	C 20 81 602	160 x 80		
C 10 82 401	C 00 82 401	C 20 82 401	C 10 82 402	C 00 82 402	C 20 82 402	240 x 80		
Shell width 120, ABS RAL 7035			Shell width 120, PC RAL 7035			L x W in mm		
T (H = 30)	T (H = 60)	G (H = 30)	T (H = 30)	T (H = 60)	G (H = 30)			
C 01 21 201	C 21 21 201	C 11 21 201	C 01 21 202	C 21 21 202	C 11 21 202	120 x 120		
C 01 22 001	C 21 22 001	C 11 22 001	C 01 22 002	C 21 22 002	C 11 22 002	200 x 120		
C 01 22 401	C 21 22 401	C 11 22 401	C 01 22 402	C 21 22 402	C 11 22 402	240 x 120		
Shell width 160, ABS RAL 7035			Shell width 160, PC RAL 7035				L x W in mm	
T (H = 30)	T (H = 60)	G (H = 30)	G (H = 60)	T (H = 30)	T (H = 60)	G (H = 30)	G (H = 60)	
C 01 61 601	C 21 61 601	C 11 61 601	—	C 01 61 602	C 21 61 602	C 11 61 602	—	160 x 160
C 01 62 401	C 21 62 401	C 11 62 401	C 31 62 401	C 01 62 402	C 21 62 402	C 11 62 402	C 31 62 402	240 x 160
Shell width 200, ABS RAL 7035			L x W in mm					
T (H = 40)	T (H = 80)	G (H = 40)	G (H = 80)					
C 12 03 001	C 42 03 001	C 22 03 001	C 52 03 001	300 x 200				
Shell width 240, ABS RAL 7035			L x W in mm					
T (H = 40)	T (H = 80)	G (H = 40)	G (H = 80)					
C 12 43 601	C 42 43 601	C 22 43 601	C 52 43 601	360 x 240				
For case shells					Accessories (only if separate parts are ordered)			
width 80	width 120	width 160	width 200	width 240	Article			
C 22 99 001	C 22 99 001	C 22 99 001	—	—	Assembly kit each 4 screws for the case assembly and for mounting PCBs			
—	—	—	C 22 99 002	C 22 99 002	Assembly kit each 6 screws for the case assembly + 8 for PCBs, centre covers			
C 22 00 801	C 22 01 201	C 22 01 601	C 22 02 001	C 22 02 401	Cover strips without holes PC, light grey, RAL 7035, each 1 pc			
C 22 10 801	C 22 11 201	C 22 11 601	C 22 12 001	C 22 12 401	Cover strips with holes*3 PC, light grey, RAL 7035, each 1 pc			

## ACCESSORIES (UNIVERSAL)

Article	For enclosure ROBUST-BOX	Version / Application	Part-No.
① Case feet	for all case sizes	simply snap-in* <sup>4</sup> when using the case for desktop application, 4 pcs	C 22 99 018
② Wall mounting brackets	for all case sizes	for exterior wall mounting, 4 pcs incl. fixing screws	C 22 99 028
③ Securing hinge	width 80/120/160	for securing the cover, e.g. during servicing, 2 pcs incl. fixing screws	C 22 99 031
④ Hinge	for all case sizes	additional machining (drilling) required, 2 complete hinges	C 22 99 088
⑤ PCB support	width 120	for mounting pre-assembled PCB units, 2 pcs incl. fixing screws	C 22 99 058
	width 80/160/200/240	for mounting pre-assembled PCB units, 4 pcs incl. fixing screws	C 22 99 068
⑥ Security kit	width 80	for use with lead tags,	C 22 99 048
	width 120	each 4 plugs, 2 cover strips with holes for the top in light grey	C 22 99 042
	width 160		C 22 99 046
	for all case sizes	plug as a single part, 1 plug	C 22 99 040

Article	Version / Application	for ROBUST-BOX		
		width 80	width 120	width 160
⑦ Fastening elements to DIN-Rails	according to DIN EN 60 715 TH35, 2 pcs + assembly kit	C 22 01 088	C 22 03 128	C 22 04 168
⑧ Cover strips (optionally supplied to the light grey coloured standard versions, simply clip into top or base)	silver grey, RAL 7001, 2 pcs for the top, 2 pcs for the base* <sup>3</sup>	C 22 01 082	C 22 03 123	C 22 04 162
	red, RAL 3020, 2 pcs for the top, 2 pcs for the base* <sup>3</sup>	C 22 01 084	C 22 03 124	C 22 04 164
	yellow, RAL 1023, 2 pcs for the top, 2 pcs for the base* <sup>3</sup>	C 22 01 085	C 22 03 125	C 22 04 165
	green, RAL 6024, 2 pcs for the top, 2 pcs for the base* <sup>3</sup>	C 22 01 086	C 22 03 126	C 22 04 166
	blue, RAL 5017, 2 pcs for the top, 2 pcs for the base* <sup>3</sup>	C 22 01 087	C 22 03 127	C 22 04 167



To achieve one ROBUST-BOX from separate parts, for a special combination, please order:

1 shell "T" (with tongue).

1 shell "G" (with groove).

1 assembly kit.

4 cover strips (table top applications)  
or 2 cover strips (wall mounting or  
DIN rail mounting).

\*<sup>1</sup> case assembly with 4 screws (width 80/120/160) and 6 screws (width 200/240)

Supply: two case shells (one with tongue; one with groove and gasket), each two pairs of cover strips (2 for the top, 2 with holes for the base) in light grey and 1 assembly kit.

\*<sup>2</sup> L x W in mm. The dimensions were measured as clearance between the guide ridges (PCB assembly by means of PCB supports, accessories).

To assemble the PCBs on the fastening pillars side L (length) the PCBs must be approx. 30 mm longer (cutouts necessary on the 4 corners in accordance with the case screw fittings).

\*<sup>3</sup> cover strips with holes suitable for case feet or security kit/security plug (separate articles)

\*<sup>4</sup> because of levelling out the length's tolerance of the cover strips we recommend to glue the case feet of sizes 200 x 300 and 240 x 360 mm

**Important: With additional machining please indicate the parts "with or without groove".**

Information: ROBUST-BOX in PC with transparent top on demand (min. 200 pcs)