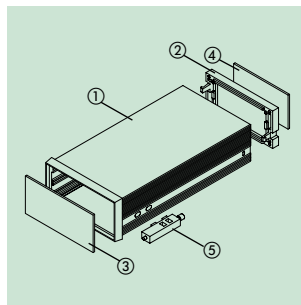
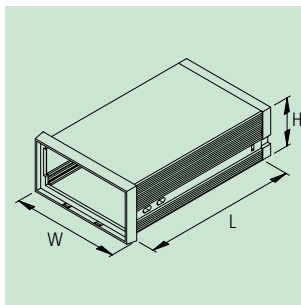
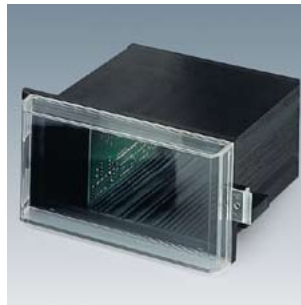




Black



THE PRODUCT

The DIN-MODULAR CASES TYPE A differ from conventional systems for mounting control panels complying with DIN IEC 61 554 through simple, screwless assembly of all case parts.

This reduces production work and expenditure to a minimum. A further advantage of this design principle is the implementation of flexible case lengths to match the application exactly.

YOUR ADVANTAGE

Material corresponds to UL 94 V-0: self-extinguishing and shock resistant. High standard of mechanical and electrical properties.

7 different standard dimensions and variable case depths.

Fixing of the PCBs by the rear frame.

Front and rear panel for snapping-in.

Fastening elements for the mounting of control panels are delivered together with the case.

Special length possible, on request, between minimum and maximum standard case length.

Transparent cover (available as accessory) protects displays and operating elements.

APPLICATIONS

Case system for a multitude of applications. Especially suitable for measuring, control technology and remote controls.

PROTECTION CLASS < IP 40

DESIGN TYPE A

- ① Case
- ② Frame (rear) with snap-lock mechanism
- ③ Front panel (accessory)
- ④ Rear panel (accessory)
- ⑤ Fastening element

DIN-MODULAR CASES TYPE A

acc. to DIN IEC 61 554



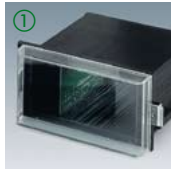
ENCLOSURES

| TYPE A | Standard dim. in mm | | | Version / Equipment | | Material | | Part-No. |
|--|---------------------|-----|-----|---------------------|-----------------------------|-------------------|--------------|-------------|
| | W | H | L | guide ridges on ... | | case | frame (rear) | |
| 72 x 36 | 72 | 36 | 57 | – | 2 sides, 2 guides each | Noryl (UL 94 V-0) | (UL 94 V-0) | B 60 21 011 |
| | 72 | 36 | 75 | – | 2 sides, 2 guides each | Noryl (UL 94 V-0) | (UL 94 V-0) | B 60 21 021 |
| | 72 | 36 | 100 | – | 2 sides, 2 guides each | Noryl (UL 94 V-0) | (UL 94 V-0) | B 60 21 031 |
| 48 x 48 | 48 | 48 | 57 | – | 2 sides, 3 guides each | Noryl (UL 94 V-0) | (UL 94 V-0) | B 60 12 011 |
| | 48 | 48 | 75 | – | 2 sides, 3 guides each | Noryl (UL 94 V-0) | (UL 94 V-0) | B 60 12 021 |
| | 48 | 48 | 100 | – | 2 sides, 3 guides each | Noryl (UL 94 V-0) | (UL 94 V-0) | B 60 12 031 |
| | 48 | 48 | 114 | – | 2 sides, 3 guides each | Noryl (UL 94 V-0) | (UL 94 V-0) | B 60 12 051 |
| | 48 | 48 | 124 | – | 2 sides, 3 guides each | Noryl (UL 94 V-0) | (UL 94 V-0) | B 60 12 061 |
| 96 x 48 | 96 | 48 | 57 | I | 2 sides, 2 guides each | Noryl (UL 94 V-0) | (UL 94 V-0) | B 60 32 011 |
| | 96 | 48 | 75 | I | 2 sides, 2 guides each | Noryl (UL 94 V-0) | (UL 94 V-0) | B 60 32 021 |
| | 96 | 48 | 100 | I | 2 sides, 2 guides each | Noryl (UL 94 V-0) | (UL 94 V-0) | B 60 32 031 |
| | 96 | 48 | 109 | I | 2 sides, 2 guides each | Noryl (UL 94 V-0) | (UL 94 V-0) | B 60 32 041 |
| | 96 | 48 | 114 | I | 2 sides, 2 guides each | Noryl (UL 94 V-0) | (UL 94 V-0) | B 60 32 051 |
| | 96 | 48 | 124 | I | 2 sides, 2 guides each | Noryl (UL 94 V-0) | (UL 94 V-0) | B 60 32 061 |
| | 96 | 48 | 131 | II | 2 sides, 3 guides each | Noryl (UL 94 V-0) | (UL 94 V-0) | B 60 32 072 |
| | 96 | 48 | 131 | II | 2 sides, 3 guides each | Noryl (UL 94 V-0) | (UL 94 V-0) | B 60 32 072 |
| 72 x 72 | 72 | 72 | 57 | – | 2 sides, 9 guides each | Noryl (UL 94 V-0) | (UL 94 V-0) | B 60 23 011 |
| | 72 | 72 | 75 | – | 2 sides, 9 guides each | Noryl (UL 94 V-0) | (UL 94 V-0) | B 60 23 021 |
| | 72 | 72 | 100 | – | 2 sides, 9 guides each | Noryl (UL 94 V-0) | (UL 94 V-0) | B 60 23 031 |
| | 72 | 72 | 124 | – | 2 sides, 9 guides each | Noryl (UL 94 V-0) | (UL 94 V-0) | B 60 23 061 |
| 96 x 96 <small>(does not correspond exactly to DIN IEC 61 554)</small> | 96 | 96 | 57 | I | 2 sides, 14 guides each | Noryl (UL 94 V-0) | (UL 94 V-0) | B 60 34 011 |
| | 96 | 96 | 75 | I | 2 sides, 14 guides each | Noryl (UL 94 V-0) | (UL 94 V-0) | B 60 34 021 |
| | 96 | 96 | 100 | I | 2 sides, 14 guides each | Noryl (UL 94 V-0) | (UL 94 V-0) | B 60 34 031 |
| | 96 | 96 | 124 | II | 4 sides, 14 / 6 guides each | Noryl (UL 94 V-0) | (UL 94 V-0) | B 60 34 062 |
| | 96 | 96 | 179 | II | 4 sides, 14 / 6 guides each | Noryl (UL 94 V-0) | (UL 94 V-0) | B 60 34 102 |
| 144 x 72 <small>(does not correspond exactly to DIN IEC 61 554)</small> | 144 | 72 | 57 | – | 4 sides, 9 / 18 guides each | Noryl (UL 94 V-0) | (UL 94 V-0) | B 60 43 011 |
| | 144 | 72 | 75 | – | 4 sides, 9 / 18 guides each | Noryl (UL 94 V-0) | (UL 94 V-0) | B 60 43 021 |
| | 144 | 72 | 100 | – | 4 sides, 9 / 18 guides each | Noryl (UL 94 V-0) | (UL 94 V-0) | B 60 43 031 |
| | 144 | 72 | 109 | – | 4 sides, 9 / 18 guides each | Noryl (UL 94 V-0) | (UL 94 V-0) | B 60 43 041 |
| | 144 | 72 | 124 | – | 4 sides, 9 / 18 guides each | Noryl (UL 94 V-0) | (UL 94 V-0) | B 60 43 061 |
| | 144 | 72 | 131 | – | 4 sides, 9 / 18 guides each | Noryl (UL 94 V-0) | (UL 94 V-0) | B 60 43 071 |
| | 144 | 72 | 156 | – | 4 sides, 9 / 18 guides each | Noryl (UL 94 V-0) | (UL 94 V-0) | B 60 43 091 |
| | 144 | 72 | 156 | – | 4 sides, 9 / 18 guides each | Noryl (UL 94 V-0) | (UL 94 V-0) | B 60 43 091 |
| 144 x 144 <small>(with removable front frame)</small> | 144 | 144 | 57 | – | 4 sides, 18 guides each | Noryl (UL 94 V-0) | (UL 94 V-0) | B 60 45 011 |
| | 144 | 144 | 75 | – | 4 sides, 18 guides each | Noryl (UL 94 V-0) | (UL 94 V-0) | B 60 45 021 |
| | 144 | 144 | 100 | – | 4 sides, 18 guides each | Noryl (UL 94 V-0) | (UL 94 V-0) | B 60 45 031 |
| | 144 | 144 | 114 | – | 4 sides, 18 guides each | Noryl (UL 94 V-0) | (UL 94 V-0) | B 60 45 051 |

ACCESSORIES*1

| Front panel | | Front panel | | | Rear panel | | For enclosure |
|-----------------------------------|---------------------------------|----------------------------------|---------------------------------|----------------------------------|------------------------------------|-----------------------------------|---------------------------|
| Matt anodized al | Noryl V-0 black | Plexiglass transp. | Plexiglass red transp. | PC infra-red perm. | Matt anodized al | Noryl V-0 black | DIN-MODULAR CASE TYPE A |
| B 61 21 111 67.7 x 31.6 x 1.5 | B 61 21 221 67.8 x 31.7 x 2 | B 61 21 331 67.7 x 31.6 x 2 | B 61 21 341 67.7 x 31.6 x 2 | B 61 21 451 67.8 x 31.8 x 2 | B 61 21 112 57.6 x 28.6 x 1 | B 61 21 222 57.6 x 28.7 x 1.5 | 72 x 36 < dim. in mm |
| B 61 12 111 43.6 x 43.6 x 1.5 | B 61 12 221 43.7 x 43.7 x 2 | B 61 12 331 43.6 x 43.6 x 2 | B 61 12 341 43.6 x 43.6 x 2 | B 61 12 451 43.7 x 43.7 x 2 | B 61 12 112 42.2 x 29.6 x 1 | B 61 12 222 42.3 x 29.6 x 1.8 | 48 x 48 < dim. in mm |
| B 61 32 111 91.5 x 43.4 x 1.5 | B 61 32 221 91.6 x 43.5 x 2 | B 61 32 331 91.5 x 43.4 x 2 | B 61 32 341 91.5 x 43.4 x 2 | B 61 32 451 91.6 x 43.5 x 2 | B 61 32 112 73.5 x 39.6 x 1 | B 61 32 222 73.6 x 39.75 x 1.7 | 96 x 48 < dim. in mm |
| B 61 23 111 67.5 x 67.5 x 1.5 | B 61 23 221 67.6 x 67.6 x 2 | B 61 23 331 67.5 x 67.5 x 2 | B 61 23 341 67.5 x 67.5 x 2 | B 61 23 451 67.6 x 67.6 x 2 | B 61 23 112 63.7 x 49.1 x 1 | B 61 23 222 63.8 x 49.2 x 1.7 | 72 x 72 < dim. in mm |
| B 61 34 111 90.6 x 90.6 x 1.5 | B 61 34 221 90.7 x 90.7 x 2 | B 61 34 331 90.6 x 90.6 x 2.2 | B 61 34 341 90.6 x 90.6 x 2 | B 61 34 451 90.7 x 90.7 x 2.2 | B 61 34 112 86.7 x 71.7 x 1.5 | B 61 34 222 86.8 x 71.8 x 1.7 | 96 x 96 < dim. in mm |
| B 61 43 111 139.2 x 67.3 x 1.5 | B 61 43 221 139.3 x 67.5 x 2 | B 61 43 331 139.2 x 67.3 x 2 | B 61 43 341 139.2 x 67.3 x 2 | B 61 43 451 139.2 x 67.4 x 2 | B 61 43 112 118.9 x 62.6 x 1.5 | B 61 43 222 119.1 x 62.7 x 2 | 144 x 72 < dim. in mm |
| B 61 45 111 138 x 138 x 1.5 | — | B 61 45 331 138 x 138 x 3 | B 61 45 341 138 x 138 x 3 | — | B 61 45 112 131.3 x 118.6 x 1.5 | — | 144 x 144 < dim. in mm |

| Part-No. | Article | For enclosure DIN-MODULAR CASES TYPE A | Version |
|-------------|--------------------|---|--------------------------------------|
| B 61 32 533 | ① Protection cover | 96 x 48 | Polycarbonate UL 94 V-2, transparent |
| B 61 23 533 | | 72 x 72 | Polycarbonate UL 94 V-2, transparent |
| B 61 34 533 | | 96 x 96 | Polycarbonate UL 94 V-2, transparent |
| B 61 43 533 | | 144 x 72 | Polycarbonate UL 94 V-2, transparent |
| B 61 45 533 | | 144 x 144 | Polycarbonate UL 94 V-2, transparent |



*1 supply: 1 pc each (front panel 144 x 144 incl. screws)