

MOUNTING OF PCBs FROM THE FRONT & ABOVE

THE PRODUCT

The DIN-MODULAR CASE TYPE B is available in three different designs.

For horizontal slide-in mounting of PCBs from the front, there are closed cases with removable front frame and rear panel.

Versions with separate lids allow vertical and horizontal slide-in PCB assembly.

A special version for 19" racks rounds off the comprehensive range.

YOUR ADVANTAGE

Case made of glass-fibre reinforced Noryl with outstanding mechanical and electrical properties, corresponding to UL-standard 94 V-1.

Available in 3 different designs, depending on the inserts.

All components including the electronic parts can slide into the case from the front side resp. from above, dependent of the case design.

The rear panel has fixing ribs to hold PCBs and slots for the plug connectors.

Holder or bracket for secure mounting within the control panel.

Transparent snap-in cover (accessory) protects displays and operating elements (96 x 48 mm – 144 x 72 mm).

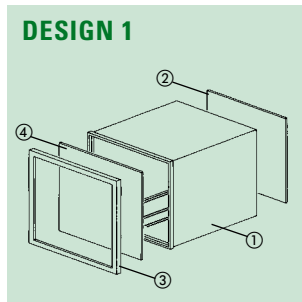
APPLICATIONS

Case system for a multitude of applications. Especially suitable for measuring, control technology and remote controls.

PROTECTION CLASS < IP 40

With snap-in cover up to IP 53 (96 x 48 mm – 144 x 72 mm).

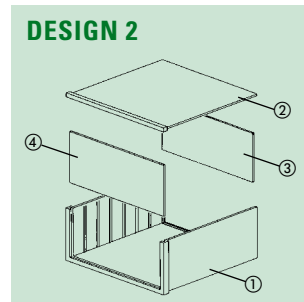
■ Black



DESIGN 1

- ① Case
- ② Rear panel of case
- ③ Snap-in front frame
- ④ Front panel/Filter plate (accessory)

Norm dim.:
3.78" x 1.89" / 2.84" x 2.84" /
3.78" x 3.78"



DESIGN 2

- ① Case U-section
- ② Lateral lid of case
- ③ Rear panel of case
- ④ Front panel/Filter plate (accessory)

Norm dim.:
5.669" x 2.835" / 5.669" x 5.669"
(case 5.669" x 2.835" additionally with snap-in front frame available)



DESIGN 3

Same as design 2, but particularly designed for 19"-system slide-in assemblies 12 TE, 3 HE.

Norm dim.:
2.835" x 5.669"

DIN-MODULAR CASES B

ENCLOSURES

Part-No.	TYPE B	Standard dim. in inches			Design*1	Equipment			Material (UL 94 V-1)
		W	H	L		rear panel	front frame	attachment with	
A 98 42 401	96 x 48 mm	3.780	1.890	4.291	1	no slots	removable	Holding frame (acc.)	Noryl reinforced
A 98 42 402		3.780	1.890	4.291	1	no slots	removable	Holder (accessory)	Noryl reinforced
A 98 42 411		3.780	1.890	4.291	1	1 slot	removable	Holding frame (acc.)	Noryl reinforced
A 98 42 412		3.780	1.890	4.291	1	1 slot	removable	Holder (accessory)	Noryl reinforced
A 98 42 421		3.780	1.890	4.291	1	2 slots	removable	Holding frame (acc.)	Noryl reinforced
A 98 42 422		3.780	1.890	4.291	1	2 slots	removable	Holder (accessory)	Noryl reinforced
A 98 42 501		3.780	1.890	5.906	1	no slots	removable	Holding frame (acc.)	Noryl reinforced
A 98 42 502		3.780	1.890	5.906	1	no slots	removable	Holder (accessory)	Noryl reinforced
A 98 42 511		3.780	1.890	5.906	1	1 slot	removable	Holding frame (acc.)	Noryl reinforced
A 98 42 512		3.780	1.890	5.906	1	1 slot	removable	Holder (accessory)	Noryl reinforced
A 98 42 521		3.780	1.890	5.906	1	2 slots	removable	Holding frame (acc.)	Noryl reinforced
A 98 42 522		3.780	1.890	5.906	1	2 slots	removable	Holder (accessory)	Noryl reinforced
A 98 33 401	72 x 72 mm	2.835	2.835	4.331	1	no slots	removable	Holder (accessory)	Noryl reinforced
A 98 33 411		2.835	2.835	4.331	1	1 slot	removable	Holder (accessory)	Noryl reinforced
A 98 33 421		2.835	2.835	4.331	1	2 slots	removable	Holder (accessory)	Noryl reinforced
A 98 33 501	96 x 96 mm	2.835	2.835	5.906	1	no slots	removable	Holder (accessory)	Noryl reinforced
A 98 44 101		3.780	3.780	2.008	1	no slots	removable	Holder (accessory)	Noryl reinforced
A 98 44 111		3.780	3.780	2.008	1	1 slot	removable	Holder (accessory)	Noryl reinforced
A 98 44 121		3.780	3.780	2.008	1	2 slots	removable	Holder (accessory)	Noryl reinforced
A 98 44 141		3.780	3.780	2.008	1	4 slots	removable	Holder (accessory)	Noryl reinforced
A 98 44 401		3.780	3.780	3.937	1	no slots	removable	Holder (accessory)	Noryl reinforced
A 98 44 411		3.780	3.780	3.937	1	1 slot	removable	Holder (accessory)	Noryl reinforced
A 98 44 421		3.780	3.780	3.937	1	2 slots	removable	Holder (accessory)	Noryl reinforced
A 98 44 441		3.780	3.780	3.937	1	4 slots	removable	Holder (accessory)	Noryl reinforced
A 98 44 501		3.780	3.780	5.945	1	no slots	removable	Holder (accessory)	Noryl reinforced
A 98 44 511		3.780	3.780	5.945	1	1 slot	removable	Holder (accessory)	Noryl reinforced
A 98 44 541		3.780	3.780	5.945	1	4 slots	removable	Holder (accessory)	Noryl reinforced
A 98 35 301	144 x 72 mm	5.669	2.835	3.701	2	no slots	removable	Holder (accessory)	Noryl reinforced
A 98 35 302		5.669	2.835	3.780	2	no slots	fixed	Holder (accessory)	Noryl reinforced
A 98 35 501		5.669	2.835	5.827	2	no slots	removable	Holder (accessory)	Noryl reinforced
A 98 35 502		5.669	2.835	5.906	2	no slots	fixed	Holder (accessory)	Noryl reinforced
A 98 35 601		5.669	2.835	7.835	2	no slots	removable	Holder (accessory)	Noryl reinforced
A 98 35 602		5.669	2.835	7.894	2	no slots	fixed	Holder (accessory)	Noryl reinforced
A 98 35 701		5.669	2.835	9.685	2	no slots	removable	Holder (accessory)	Noryl reinforced
A 98 35 702	5.669	2.835	9.783	2	no slots	fixed	Holder (accessory)	Noryl reinforced	
A 98 55 302	144 x 144 mm	5.669	5.669	3.661	2	no slots	fixed	Holder (accessory)	Noryl reinforced
A 98 55 502		5.669	5.669	5.984	2	no slots	fixed	Holder (accessory)	Noryl reinforced
A 98 55 602		5.669	5.669	7.913	2	no slots	fixed	Holder (accessory)	Noryl reinforced
A 98 55 702	5.669	5.669	9.764	2	no slots	fixed	Holder (accessory)	Noryl reinforced	
A 98 35 609	19"	2.835	5.669	7.874	3	no slots	fixed	Holder (accessory)	Noryl reinforced
A 98 35 709	(12 TE)	2.835	5.669	9.764	3	no slots	fixed	Holder (accessory)	Noryl reinforced

INFO-BOX

Case type B

96 x 48 mm
72 x 72 mm
96 x 96 mm
144 x 72 mm
144 x 144 mm

Guide ridges on ... (for slide-in mounting – horizontal from the front or vertical from above)

2 sides, 2 guides each
2 sides, 2 guides each
2 sides, 4 guides each
2 sides, 1 guide horizontally, various guides vertically with interruption for horizontal slide-in mounting
2 sides, 1 guide horizontally, various guides vertically with interruption for horizontal slide-in mounting

*1 for description of the designs see page 97;

design 3 cases are supplied fully assembled (1 case U-section, 1 lid with screws, 1 rear panel, 2 PCB supports with in 1 TE steps, 1 plug holder for connectors acc. to DIN 41 612 and 2 tapped and threaded strips for fixing the components), control board cutout 2.677 x 5.433"

DIN-MODULAR CASES TYPE B

acc. to DIN IEC 61 554

ACCESSORIES

DIN-MODULAR CASE TYPE B	For enclosure	Front panel		Filter plate	
		matt anod. al, 1 pc	red, 0.04", 2 pcs	red, 0.08", 1 pc	red, 0.12", 1 pc
96 x 48 mm		A 91 84 221	A 91 84 213	A 91 84 222	–
	dim. in inches	3.59 x 1.67 x 0.08	3.59 x 1.67 x 0.04	3.60 x 1.67 x 0.08	
72 x 72 mm		A 91 83 321	A 91 83 313	A 91 83 322	–
	dim. in inches	2.67 x 2.67 x 0.08	2.67 x 2.67 x 0.04	2.67 x 2.67 x 0.08	
96 x 96 mm		A 91 84 421	A 91 84 413	A 91 84 422	–
	dim. in inches	3.59 x 3.59 x 0.08	3.59 x 3.59 x 0.04	3.60 x 3.60 x 0.08	
144 x 72 mm		A 91 83 531	–	–	A 91 83 532
	dim. in inches	5.41 x 2.59 x 0.12			5.41 x 2.59 x 0.12
144 x 144 mm		A 91 85 531	–	–	A 91 85 532
	dim. in inches	5.41 x 5.41 x 0.12			5.41 x 5.41 x 0.12

Article	For enclosure DIN-MODULAR CASE TYPE B	Version / Application	Part-No.
① Holding frame	96 x 48 (please pay attention to the relevant version)	plastic, 1 pc incl. screws	A 92 84 202
② Holder	96 x 48 4.291" long (please pay att. to the relevant vers.)	steel, 2 pcs incl. thumb nuts	A 92 83 361
	96 x 48 5.906" long (please pay att. to the relevant vers.)	steel, 2 pcs incl. thumb nuts	A 92 84 251
	72 x 72 4.331" long	steel, 2 pcs incl. thumb nuts	A 92 83 341
	72 x 72 5.906" long	steel, 2 pcs incl. thumb nuts	A 92 83 351
	96 x 96 2.008" long	steel, 2 pcs incl. thumb nuts	A 92 84 511
	96 x 96 3.937" long	steel, 2 pcs incl. thumb nuts	A 92 84 541
	96 x 96 5.945" long	steel, 2 pcs incl. thumb nuts	A 92 84 551
	144 x 72 3.701" long	steel, with rib, 2 pcs incl. nuts	A 92 83 531
	144 x 72 5.827" long	steel, with rib, 2 pcs incl. thumb nuts	A 92 83 551
	144 x 72 7.835" long	steel, with rib, 2 pcs incl. thumb nuts	A 92 83 561
③ Holder	144 x 72 / 144 x 144 / 19" with fixed front frame	steel, with rib, 2 pcs incl. thumb nuts	A 92 83 571
		set with 2 pcs	A 92 80 003
④ Snap-in cover	96 x 48	PC transparent (IP 53), 1 pc	A 92 84 204
	72 x 72	PC transparent (IP 53), 1 pc	A 92 83 304
	96 x 96	PC transparent (IP 53), 1 pc	A 92 84 404
	144 x 72 with removal front frame	PC transparent (IP 53), 1 pc	A 92 83 504

