



THE PRODUCT

Generously dimensioned, comfortable control and interface panels distinguish the MOTEC desktop device from conventional systems.

Different sizes and combinations offer a wide selection of attractive cases.

Thanks to an innovative snap-in system, you can minimise your assembly work and at the same time improve the visual attractiveness of your products.

YOUR ADVANTAGE

Quick mounting due to screwless assembly. Saves time and costs. Disassembly can be carried out by a small flat screwdriver.

Modern and fashionable design.

Different heights of cases for individual configurations.

Guide grooves for the vertical insertion of partitions and printed circuit boards.

Sloping control panel with recessed area to protect membrane keyboards available as an accessory. Also suitable for mounting LCDs.

High-quality material ABS, optionally in UL 94 HB or UL 94 V-0 flame-retardant.

Self-adhesive, transparent case feet ensure reliable desk-top positioning.

APPLICATIONS

Measuring and control technology, feedback control.

Peripheral devices and interfaces, switchboxes, modems.

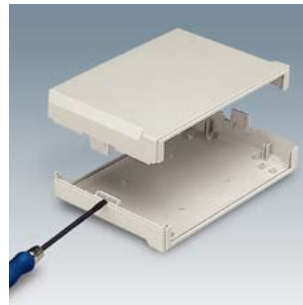
Medical field and laboratory technology.

PROTECTION CLASS IP 40

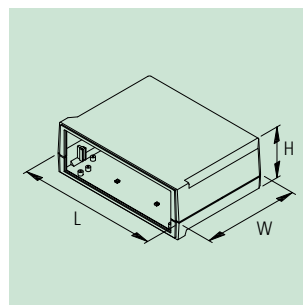
With front / rear panel or with sloping control panel and rear panel.

MAX. SIZE OF PCB

MOTEC	L x W in mm
S	128 x 90
M	178 x 125
L	208 x 150



Off-white, RAL 9002



ENCLOSURES

MOTEC	Outside dim. in mm			case shells base/top	Equipment (dim. in mm) handle bar* ¹	Part-No.	
	L	W	H			ABS (UL 94 HB)	ABS (UL 94 V-0)
S	155	105	40	flat / flat	–	B 30 15 117	B 30 15 217
	155	105	65	flat / high	–	B 30 15 127	B 30 15 227
	155	105	90	high / high	–	B 30 15 137	B 30 15 237
M	205	140	50	flat / flat	–	B 30 20 117	B 30 20 217
	205	140	75	flat / high	–	B 30 20 127	B 30 20 227
	205	140	75	flat / high	• (Tilt/swivel handle adjustable in increments of 30°)	B 30 20 147	–
	205	140	100	high / high	–	B 30 20 137	B 30 20 237
L	235	165	60	flat / flat	–	B 30 23 117	B 30 23 217
	235	165	85	flat / high	–	B 30 23 127	B 30 23 227
	235	165	85	flat / high	• (Tilt/swivel handle adjustable in increments of 30°)	B 30 23 147	–
	235	165	110	high / high	–	B 30 23 137	B 30 23 237

ACCESSORIES

Article	For enclosure MOTEC	Version / Application	Part-No.	
			ABS (UL 94 HB)	ABS (UL 94 V-0)
① Sloping control panel	S flat / high	off-white, RAL 9002, max. dim. keypad 137.80 x 46.80 mm, insertion into the guides	B 31 15 167	B 31 15 267
	M flat / high	off-white, RAL 9002, max. dim. keypad 186.70 x 54.40 mm, insertion into the guides	B 31 20 167	B 31 20 267
	L flat / high	off-white, RAL 9002, max. dim. keypad 214.70 x 62.90 mm, insertion into the guides	B 31 23 167	B 31 23 267
	L high / high	off-white, RAL 9002, max. dim. keypad 214.60 x 90.60 mm, insertion into the guides	B 31 23 177	B 31 23 277
② Front / rear panel	S flat / flat	matt anodised aluminium, 136 x 32 x 1.5 mm, insertion into the guides, 1 pc	B 31 15 100	
	S flat / high	matt anodised aluminium, 136 x 57 x 1.5 mm, insertion into the guides, 1 pc	B 31 15 110	
	S high / high	matt anodised aluminium, 136 x 82 x 1.5 mm, insertion into the guides, 1 pc	B 31 15 120	
	M flat / flat	matt anodised aluminium, 185 x 42 x 1.5 mm, insertion into the guides, 1 pc	B 31 20 100	
	M flat / high	matt anodised aluminium, 185 x 67 x 1.5 mm, insertion into the guides, 1 pc	B 31 20 110	
	M high / high	matt anodised aluminium, 185 x 92 x 1.5 mm, insertion into the guides, 1 pc	B 31 20 120	
	L flat / flat	matt anodised aluminium, 214 x 52 x 1.5 mm, insertion into the guides, 1 pc	B 31 23 100	
	L flat / high	matt anodised aluminium, 214 x 77 x 1.5 mm, insertion into the guides, 1 pc	B 31 23 110	
③ Set of screws	L high / high	matt anodised aluminium, 214 x 102 x 1.5 mm, insertion into the guides, 1 pc	B 31 23 120	
	S, M, L	4 x ø 2.5 x 6 mm, for mounting PCBs	A 91 99 008	



*¹ side arms and push button of reinforced polyamide, middle section aluminium profile;
the mounting of the handle bar to the side panels with draft will hardly affect the load capacity and performance