



THE PRODUCT

The LUX CASE range offers an unusual case design. The three-part assembly makes the components particularly easily accessible.

The selection of the centre section, e.g. in your company's colour, allows you to create individual electronics cases to match the corporate design of your company.

YOUR ADVANTAGE

Vertical and horizontal PCB mounting – a special advantage of the OKW-LUX-CASE range is achieved by the especially designed card guide. The card guide is fitted into the centre section and can be moved horizontally.

The assembled PCBs can be simply inserted from the front without removing the top part. For this, the PCB is assembled with the front panel.

Guide groove for pushing in the aluminium front panel. If required it can also be screwed together from the front (150, 230).

It is simple to use and the display instruments are easy to read off, thanks to the fold-out tilt feet or sturdy bar (size 230 only). May also be used as a carrying handle.

Without/with battery compartment (150/190).

APPLICATIONS

Measuring devices for medical and laboratory technologies.

Control devices.

Peripheral computer equipment.

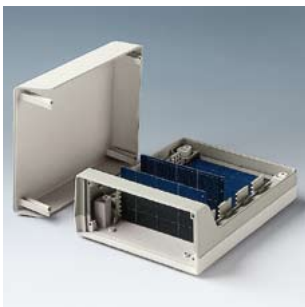
PROTECTION CLASS < IP 40

MAX. SIZE OF PCB

LUX CASE	W x D in mm	
	base part	top part
150	70 x 128 (without batt. comp.)	
190	100 x 165 (without batt. comp.)	
230 with vent. slots	129 x 180	128 x 150
230 without vent.	129 x 205	128 x 175

(PCB mounting on fastening pillars)

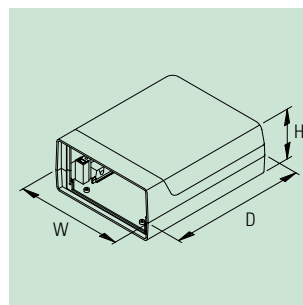
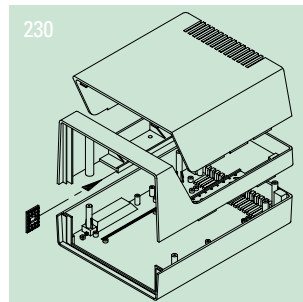
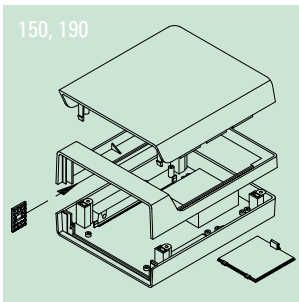
LUX CASES



Two coloured

Base and top
Off-white, RAL 9002

Center section
Pebble grey, RAL 7032

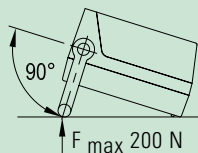
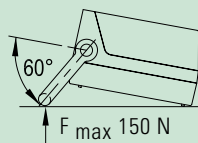
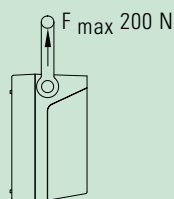


INFO-BOX

LUX CASE 230 with handle

The handle enables carrying and convenient canting of the unit.

- High load capacity.
- With 30° indexing.
- Colour combination:
Side arms in pebble grey, RAL 7032 and push-button in off-white, RAL 9002.
Aluminium centre section.

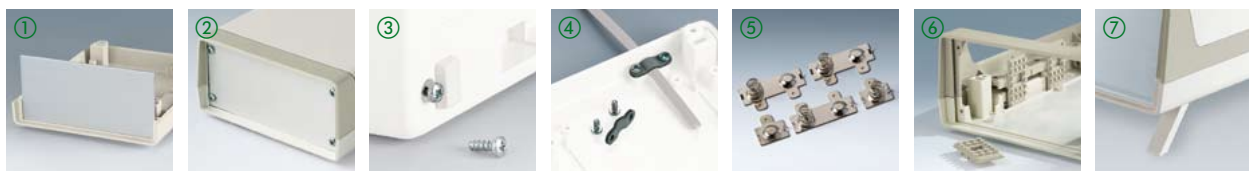


ENCLOSURES

LUX CASE	Outside dim. in mm			Version / Equipment			Material	Part-No.	
	W	D	H	battery comp.	pillars for strain relief	ventilation slots			
150	118	150	57	I	–	•	–	ABS (UL 94 HB)	A 99 12 637
	118	150	57	II	4 x AA	–	–	ABS (UL 94 HB)	A 99 12 687
190	148	190	67	I	–	•	–	ABS (UL 94 HB)	A 99 15 737
	148	190	67	II	4 x AA	–	–	ABS (UL 94 HB)	A 99 15 787
230 without handle	173	230	136	I	–	•	–	ABS (UL 94 HB)	A 99 17 837
	173	230	136	II	–	•	•	ABS (UL 94 HB)	A 99 17 847
230 with handle	173	230	136	III	–	•	–	ABS (UL 94 HB)	A 99 17 857
	173	230	136	IV	–	•	•	ABS (UL 94 HB)	A 99 17 877

ACCESSORIES

Article	For enclosure LUX CASE	Version / Application	Part-No.
① Front panel	150	for slide-in, matt anodised aluminium, 108 x 52.8 x 1.5 mm, 1 pc	A 91 99 121
	150	for screw fixing, matt anodised aluminium, 106.3 x 50.4 x 2 mm, 1 pc	A 91 99 122
	190	for slide-in, matt anodised aluminium, 134 x 62.5 x 1.5 mm, 1 pc	A 91 99 151
	230	for slide-in, matt anodised aluminium, 131.5 x 158.2 x 1.5 mm, 1 pc	A 91 99 171
	230	for screw fixing, matt anodised aluminium, 128.4 x 152.3 x 2 mm, 1 pc	A 91 99 172
② Assembly kit	150	4 screws for front panel fixing	A 91 99 004
	230	4 screws for front panel fixing	A 91 99 006
③ Assembly kit	150, 190	4 screws for case assembly (for additional locking)	A 91 99 003
④ Strain relief	150, 190, 230	1 strain relief, 2 screws	A 91 99 005
⑤ Set of battery clips*1	150, 190	nickel-plated, for 4 x 1.5 V mignon cells (AA)	A 91 90 013
⑥ Card guide	150, 190, 230	ABS, for slide-in of PCBs, max. 8 pcs (150) resp. 10 pcs (190, 230)	A 91 99 000
⑦ Tilt foot	150, 190, 230	ABS, off-white, snaps into the base, 1 pc	A 03 50 007
	150, 190, 230	ABS, pebble-grey, snaps into the base, 1 pc	A 03 50 008



• included

*1 complies with DIN EN 60601 (short circuit caused by incorrect insertion of batteries impossible)

NEW PRODUCT