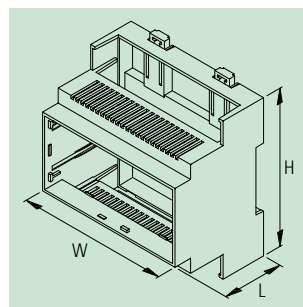


**RAILTEC C**  
Light grey clips black/translucent

**RAILTEC CM**  
Grey clips black

**RAILTEC CB**  
RAILTEC Support  
Adapter for DIN rail mounting  
Green

**RAILTEC CC**  
Red orange + grey clips black



## THE PRODUCT

The comprehensive range of cases for DIN rail mounting as well as for direct wall mounting.

All types are extremely installation-friendly, for mounting components as well as for connection work!

## YOUR ADVANTAGE

Different connection options for commercial components such as:

- terminals
- PCB plug headers
- front connectors

PC and PA offer outstanding material properties for tough conditions, with high temperature stability. Both materials comply with UL 94 V-0.

Easy assembly through snap-in installation of the case parts.

Designed for DIN rail mounting. Direct wall mounting is also possible for types C, CM and the support.

## APPLICATIONS

Automation. Building and safety technology. Heating and air conditioning technology. Especially suitable as an automatic control case for time controllers, sensors, relays, signal distributors etc.

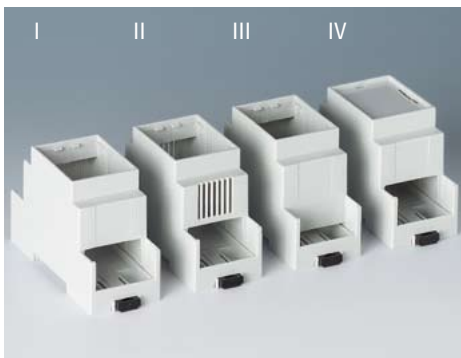
Or as a subrack for interfaces, electronics modules, amplifiers, transformers etc.

## PROTECTION CLASS IP 20

RAILTEC C / CM / CB and CC.

## RAILTEC C

- For terminals, PCB plug headers and front connectors – connection possible from 1 side and/or 2 sides.
- Different standard modules.
- Easy PCB assembly.
- Suitable for EN 60 715 TH35 DIN rails or direct wall mounting.



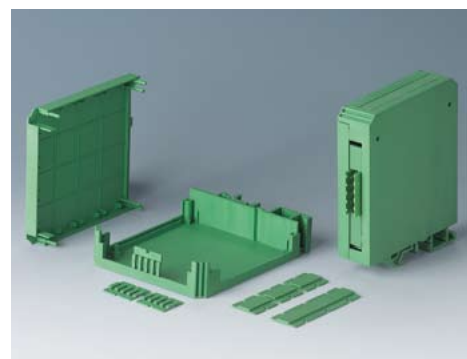
## RAILTEC CM

- Integrated connection system: 8 connections each on four levels; for cable cross-sections of max.  $2 \times 2.5 \text{ mm}^2$  rigid or stranded conductor design (ring eyelet/cable lug/flat connector).
- 17.5 mm module width, indiv. expandable.
- Suitable for EN 60 715 TH35 DIN rails or direct wall mounting.



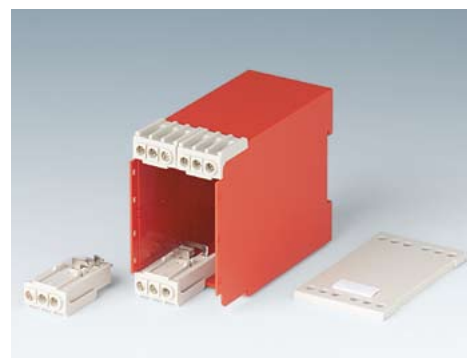
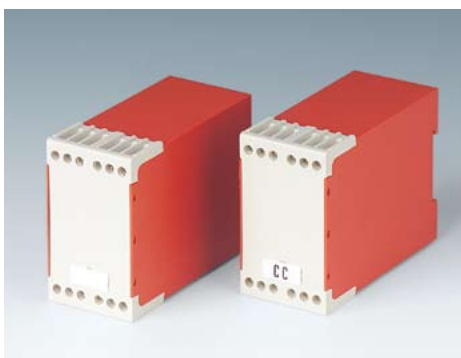
## RAILTEC CB

- For plug headers (ideal in 5.0 grid, max. 12-pin). Unused terminal areas can be closed with push-on side walls, either with ventilation slots or without.
- Suitable for EN 60 715 TH35 and G32 DIN rails.



## RAILTEC CC

- Integrated connection system: 12 connections per case; for cable cross-sections of max.  $2 \times 2.5 \text{ mm}^2$  rigid or  $2 \times 1.5 \text{ mm}^2$  stranded conductor design; PCB pins reduce the work involved in wiring.
- Removable front with integrated clips for labelling.
- Suitable for EN 60 715 TH35 DIN rails.



## RAILTEC SUPPORT ADAPTER

- RAILTEC Support: More flexibility through simple replacement of the interfaces; modular design for individual component mounting; suitable for EN 60 715 TH35, TH15 and G32 DIN rails.
- Adapter: suitable for RAILTEC C / CM / CC; allows installation on DIN rails EN 60 715 TH35 and TH15.

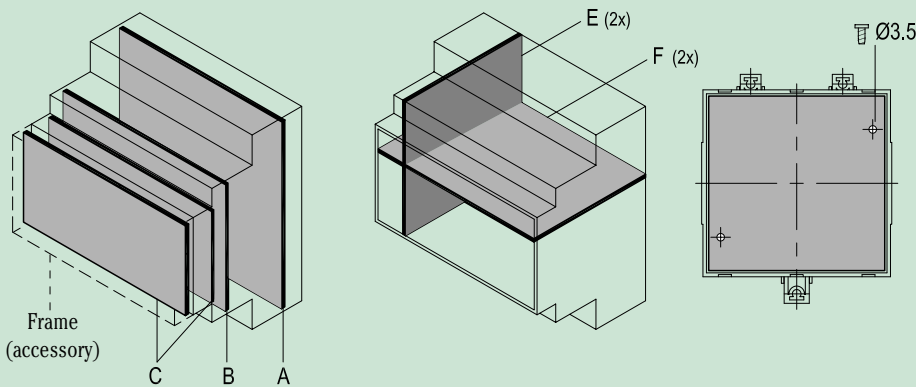


## ENCLOSURES

Part-No.		RAILTEC C	Outside dim. in mm			Version / Equipment			Material base / top	
1 side open	2 sides open		W	H	L	front	connections side with	ventilation slots		
–	B 67 00 100	1 module	17.5	90	58	I	open	free through passage	–	PC (UL 94 V-0)
–	B 67 00 102		17.5	90	58	II	open	free through passage	•	PC (UL 94 V-0)
–	B 67 00 104		17.5	90	58	III	open	extended case wall	–	PC (UL 94 V-0)
–	B 67 00 106		17.5	90	58	IV	closed	free through passage	–	PC (UL 94 V-0)
–	B 67 01 100	2 modules	36	90	58	I	open	free through passage	–	PC (UL 94 V-0)
–	B 67 01 102		36	90	58	II	open	free through passage	•	PC (UL 94 V-0)
–	B 67 01 104		36	90	58	III	open	extended case wall	–	PC (UL 94 V-0)
–	B 67 01 106		36	90	58	IV	closed	free through passage	–	PC (UL 94 V-0)
–	B 67 02 100	3 modules	53	90	58	I	open	free through passage	–	PC (UL 94 V-0)
–	B 67 02 102		53	90	58	II	open	free through passage	•	PC (UL 94 V-0)
–	B 67 02 104		53	90	58	III	open	extended case wall	–	PC (UL 94 V-0)
–	B 67 02 106		53	90	58	IV	closed	free through passage	–	PC (UL 94 V-0)
–	B 67 03 100	4 modules	71	90	58	I	open	free through passage	–	PC (UL 94 V-0)
–	B 67 03 102		71	90	58	II	open	free through passage	•	PC (UL 94 V-0)
–	B 67 03 104		71	90	58	III	open	extended case wall	–	PC (UL 94 V-0)
–	B 67 03 106		71	90	58	IV	closed	free through passage	–	PC (UL 94 V-0)
B 67 04 101	B 67 04 100	5 modules	88	90	58	I	open	free through passage	–	PC (UL 94 V-0)
B 67 04 103	B 67 04 102		88	90	58	II	open	free through passage	•	PC (UL 94 V-0)
B 67 04 105	B 67 04 104		88	90	58	III	open	extended case wall	–	PC (UL 94 V-0)
B 67 04 107	B 67 04 106		88	90	58	IV	closed	free through passage	–	PC (UL 94 V-0)
B 67 05 101	B 67 05 100	6 modules	106	90	58	I	open	free through passage	–	PC (UL 94 V-0)
B 67 05 103	B 67 05 102		106	90	58	II	open	free through passage	•	PC (UL 94 V-0)
B 67 05 105	B 67 05 104		106	90	58	III	open	extended case wall	–	PC (UL 94 V-0)
B 67 05 107	B 67 05 106		106	90	58	IV	closed	free through passage	–	PC (UL 94 V-0)
B 67 06 101	B 67 06 100	9 modules	160	90	58	I	open	free through passage	–	PC (UL 94 V-0)
B 67 06 103	B 67 06 102		160	90	58	II	open	free through passage	•	PC (UL 94 V-0)
B 67 06 105	B 67 06 104		160	90	58	III	open	extended case wall	–	PC (UL 94 V-0)
B 67 06 107	B 67 06 106		160	90	58	IV	closed	free through passage	–	PC (UL 94 V-0)
–	B 67 07 100	12 modules	210	90	58	I	open	free through passage	–	PC (UL 94 V-0)
–	B 67 07 102		210	90	58	II	open	free through passage	•	PC (UL 94 V-0)

## INFO-BOX

### Max. size of PCB

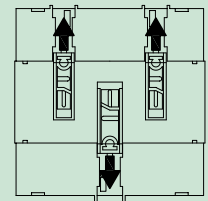


For enclosure RAILTEC C	Position (dimensions in mm)					screwed
	A	B	C	E	F	
1 module	86.5 x 14	57 x 14	41.8 x 14	34 x 59.6	40 x 14.8	–
2 modules	86.5 x 33	57 x 32	42 x 32	34 x 59.6	40 x 33	86.5 x 33
3 modules	86.5 x 50	57 x 49	42 x 49	34 x 59.6	40 x 50	86.5 x 50
4 modules	86.5 x 68	57 x 67	42 x 67	34 x 59.6	40 x 68	86.5 x 68
5 modules	86.5 x 84	57 x 83	42 x 83	34 x 59.6	40 x 84	86.5 x 84
6 modules	86.5 x 103	57 x 102	42 x 102	34 x 59.6	40 x 103	86.5 x 103
9 modules	86.5 x 155	57 x 155.4	42 x 154	34 x 59.6	40 x 155	86.5 x 155
12 modules	86.5 x 208.5	57 x 207.5	42 x 207	34 x 59.6	40 x 208	86.5 x 207

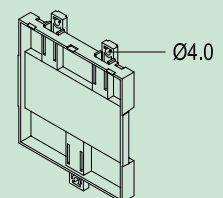
### Locking clip assembly

DIN rail mounting EN 60 715 TH35

base  
outside view



direct wall mounting



### Supply

1 top and 1 base part each, locking clips unassembled (2 pcs each in module sizes 1 – 4, and 3 pieces each in module sizes 5 – 12).

## ACCESSORIES

Article	Type	For enclosure RAILTEC C vers. I, II, IV	Version / Equipment Poles (max.)*1	Part-No.		
① Terminal guards	closed	1 module	–	PC (UL 94 V-0), light grey, 1 pc	B 68 00 111	
		2 modules	–	PC (UL 94 V-0), light grey, 1 pc	B 68 01 111	
		3 / 6 / 9 / 12 modules	–	PC (UL 94 V-0), light grey, 1 pc	B 68 02 111	
		4 modules	–	PC (UL 94 V-0), light grey, 1 pc	B 68 03 111	
		5 modules	–	PC (UL 94 V-0), light grey, 1 pc	B 68 04 111	
	max. number of terminal guards 1 side open: 1 pc – 5 modules 2 pcs – 6 modules 3 pcs – 9 modules	perforated, block 5.08*1	1 module	3	PC (UL 94 V-0), light grey, 1 pc	B 68 00 112
			2 modules	6	PC (UL 94 V-0), light grey, 1 pc	B 68 01 112
			3 / 6 / 9 / 12 modules	9	PC (UL 94 V-0), light grey, 1 pc	B 68 02 112
			4 modules	12	PC (UL 94 V-0), light grey, 1 pc	B 68 03 112
			5 modules	15	PC (UL 94 V-0), light grey, 1 pc	B 68 04 112
	max. number of terminal guards 2 sides open: 2 pcs – 1 / 2 / 3 / 4 / 5 modules 4 pcs – 6 modules 6 pcs – 9 modules 8 pcs – 12 modules	with holes, block 5.08*1	1 module	3	PC (UL 94 V-0), light grey, 1 pc	B 68 00 113
			2 modules	6	PC (UL 94 V-0), light grey, 1 pc	B 68 01 113
			3 / 6 / 9 / 12 modules	9	PC (UL 94 V-0), light grey, 1 pc	B 68 02 113
			4 modules	12	PC (UL 94 V-0), light grey, 1 pc	B 68 03 113
			5 modules	15	PC (UL 94 V-0), light grey, 1 pc	B 68 04 113
	with holes, block 7.5 & 7.62*1	with holes, block 7.5 & 7.62*1	1 module	2	PC (UL 94 V-0), light grey, 1 pc	B 68 00 114
			2 modules	4	PC (UL 94 V-0), light grey, 1 pc	B 68 01 114
			3 / 6 / 9 / 12 modules	6	PC (UL 94 V-0), light grey, 1 pc	B 68 02 114
			4 modules	8	PC (UL 94 V-0), light grey, 1 pc	B 68 03 114
			5 modules	10	PC (UL 94 V-0), light grey, 1 pc	B 68 04 114
with holes, block 10.16*1	with holes, block 10.16*1	1 module	2	PC (UL 94 V-0), light grey, 1 pc	B 68 00 115	
		2 modules	3	PC (UL 94 V-0), light grey, 1 pc	B 68 01 115	
		3 / 6 / 9 / 12 modules	5	PC (UL 94 V-0), light grey, 1 pc	B 68 02 115	
		4 modules	6	PC (UL 94 V-0), light grey, 1 pc	B 68 03 115	
		5 modules	7	PC (UL 94 V-0), light grey, 1 pc	B 68 04 115	
② Frame	10 mm long	2 modules	suitable for RAILTEC C versions I, II and III,		B 68 01 120	
		3 modules	allows additional PCB position as well as		B 68 02 120	
		4 modules	the use of the front lid convex with hinge,		B 68 03 120	
		5 modules	PC (UL 94 V-0), light grey, snap-in, 1 pc		B 68 04 120	
		6 modules			B 68 05 120	
		9 modules			B 68 06 120	

Article	For enclosure RAILTEC C vers. I, II, III and IV*2	Dim. in mm L x W	Version (PC UL 94 V-0)			
			light grey	red transparent	smoked glass	transparent
③ Front panel	1 module	42 x 14	B 68 00 100	B 68 00 300	B 68 00 400	B 68 00 200
	2 modules	42 x 32	B 68 01 100	B 68 01 300	B 68 01 400	B 68 01 200
	3 modules	42 x 49	B 68 02 100	B 68 02 300	B 68 02 400	B 68 02 200
	4 modules	42 x 67	B 68 03 100	B 68 03 300	B 68 03 400	B 68 03 200
	5 modules	42 x 84	B 68 04 100	B 68 04 300	B 68 04 400	B 68 04 200
	6 modules	42 x 102	B 68 05 100	B 68 05 300	B 68 05 400	B 68 05 200
	9 modules	42 x 155	B 68 06 100	B 68 06 300	B 68 06 400	B 68 06 200
	12 modules	42 x 207.5	B 68 07 100	–	–	–

Article	For enclosure RAILTEC C vers. I, II and III	Without hinge (PC UL 94 V-0)			With hinge (PC UL 94 V-0)	
		light grey	red transparent	transparent	red transparent	transparent
Front lid convex	2 modules	B 68 01 101	B 68 01 301	B 68 01 201	B 68 01 302	B 68 01 202
④ without hinge	3 modules	B 68 02 101	B 68 02 301	B 68 02 201	B 68 02 302	B 68 02 202
⑤ with hinge (frame necessary)	4 modules	B 68 03 101	B 68 03 301	B 68 03 201	B 68 03 302	B 68 03 202
	5 modules	B 68 04 101	B 68 04 301	B 68 04 201	B 68 04 302	B 68 04 202
	6 modules	B 68 05 101	B 68 05 301	B 68 05 201	B 68 05 302	B 68 05 202
	9 modules	B 68 06 101	B 68 06 301	B 68 06 201	B 68 06 302	B 68 06 202



\*1 The max. number of poles is designed to allow the use of terminals.

\*2 When using case version IV (closed front):  
- for sizes 1 to 4 modules front panels cannot be disassembled  
- for case sizes 6 and 9 modules, machining is necessary

**NEW PRODUCT**

## ENCLOSURES

Part-No.	RAILTEC	Outside dim. in mm			Version / Equipment	Material
		W	H	L		
B 67 00 120	CM	18	89	54	① Basic module with integrated connection system (8 terminals, nickel-plated, individually removable), suitable for DIN EN 60 715 TH35 or direct wall mounting.	ABS (UL 94 V-0)
B 68 00 125		18	89	54	② Intermediate frame with integrated connection system (8 terminals, nickel-plated, individually removable), for another 17.5 mm more case width, or multiples thereof, snaps securely into basic module ①, DIN rail mounting with the locking clips of the basic module or using an adapter (see accessories below).	ABS (UL 94 V-0)
B 67 21 521	CB	22.5	82	90	③ Flat case design, for plug headers (ideal in 5.0 grid, max. 12-pin), the supply contains 1 long side panel, 3 short side panels, closed, as well as 3 short side panels with 4 ventilation slots each (3 short side panels correspond to 1 long side panel), suitable for DIN EN 60 715 TH35 and G32.	PA 66 (UL 94 V-0)
B 67 22 521		45.5	82	90	④ Extended height case design, for plug headers (ideal in 5.0 grid, max. 12-pin), the supply contains 1 long side panel, 3 short side panels, closed, as well as 3 short side panels with 4 ventilation slots each (3 short side panels correspond to 1 long side panel), suitable for DIN EN 60 715 TH35 and G32.	PA 66 (UL 94 V-0)
B 67 22 622	CC	45	78	99	⑤ Complete case with integrated connecting system (12 terminals, nickel-plated), suitable for DIN EN 60 715 TH35. The complete PCB, fitted with the components and terminals, can be pushed in from the front!	PC (UL 94 V-0)



## TERMINALS

### ACCESSORIES

Part-No.	Article	Version / Application		Material
		poles	max. cable cross-sections	
B 68 00 650	Terminal block block 5.08 	3	2.5 mm <sup>2</sup>	PA 68 (UL 94 V-0)
B 68 01 650		6	2.5 mm <sup>2</sup>	PA 68 (UL 94 V-0)
B 68 02 650		9	2.5 mm <sup>2</sup>	PA 68 (UL 94 V-0)
B 68 03 650		12	2.5 mm <sup>2</sup>	PA 68 (UL 94 V-0)
B 68 04 650		15	2.5 mm <sup>2</sup>	PA 68 (UL 94 V-0)
B 66 06 222	Plug header "PCB" block 5.08 	2		PA 68 (UL 94 V-0)
B 66 01 222		5		PA 68 (UL 94 V-0)
B 66 02 222		9		PA 68 (UL 94 V-0)
B 66 03 222		12		PA 68 (UL 94 V-0)
B 66 05 222		13		PA 68 (UL 94 V-0)
B 66 07 222		15		PA 68 (UL 94 V-0)
B 66 06 223	Plug header "plug" block 5.08 	2	2.5 mm <sup>2</sup>	PA 68 (UL 94 V-0)
B 66 01 223		5	2.5 mm <sup>2</sup>	PA 68 (UL 94 V-0)
B 66 02 223		9	2.5 mm <sup>2</sup>	PA 68 (UL 94 V-0)
B 66 03 223		12	2.5 mm <sup>2</sup>	PA 68 (UL 94 V-0)
B 66 05 223		13	2.5 mm <sup>2</sup>	PA 68 (UL 94 V-0)
B 66 07 223		15	2.5 mm <sup>2</sup>	PA 68 (UL 94 V-0)

Placement RAILTEC C with terminals grid 5.0 (with/without terminal cover) resp. grid 5.08 (without terminal cover) see Internet.

## SINGLE PIECES\*1

RAILTEC SUPPORT	Article	Outside dim. in mm			Size of PCB in mm		Material	Part-No.
		W	H	L	W	L		
72	① End section	11.20	16	82	10	72	PA 68 (UL 94 V-0)	B 67 20 333
		22.20	16	82	21	72	PA 68 (UL 94 V-0)	B 67 20 334
	② End section with foot*2	11.20	22.5	82	10	72	PA 68 (UL 94 V-0)	B 67 20 335
		22.20	22.5	82	21	72	PA 68 (UL 94 V-0)	B 67 20 336
	③ Intermediate part	11.25	16	82	11.25	72	PA 68 (UL 94 V-0)	B 67 20 330
22.50		16	82	22.50	72	PA 68 (UL 94 V-0)	B 67 20 331	
45		16	82	45	72	PA 68 (UL 94 V-0)	B 67 20 332	
	⑤ Foot*3					PA 68 (UL 94 V-0)	B 67 20 337	
107	① End section	11.5	17.5	118	10	107	PA 68 (UL 94 V-0)	B 67 20 444
		11.5	27.5	118	10	107	PA 68 (UL 94 V-0)	B 67 20 445
	③ Intermediate part	18.5	17.5	118	18.5	107	PA 68 (UL 94 V-0)	B 67 20 440
		35	17.5	118	35	107	PA 68 (UL 94 V-0)	B 67 20 441
	④ Intermediate part with foot*4	18.5	27.5	118	18.5	107	PA 68 (UL 94 V-0)	B 67 20 442
35		27.5	118	35	107	PA 68 (UL 94 V-0)	B 67 20 443	

## ACCESSORIES

Article	For RAILTEC SUPPORT	Version / Application	Part-No.
⑥ Wall suspension element	72	allows direct wall mounting, suitable for end section ①, PA 68 (UL 94 V-0), green, 2 pcs as set	B 68 20 532
	107		B 68 20 542
⑦ Wall suspension element with foot	72	allows direct wall mounting, suitable for end section with foot ②, PA 68 (UL 94 V-0), green, 2 pcs as set	B 68 20 533
	107		B 68 20 543



# ADAPTER

## ACCESSORIES

For enclosure RAILTEC	Version / Application	Part-No.
C (1 – 4 modules) / CM / CC	for DIN EN 60 715 TH35 and TH15, type G32 in steel only, PA 68 (UL 94 V-0), green	B 68 11 542



\*1 supply: 1 pc each

Minimum components for one support: 2 end sections with/without foot. Combining these parts with intermediate parts allows optimum adaptation to the relevant size requirements. The PCB widths are obtained by adding the relevant dimensions of the individual parts

\*2 suitable for EN 60 715 TH35 rails

\*3 can be used for intermediate part and end section without foot; suitable for EN 60 715 TH35, TH15 and G32 rails

\*4 suitable for EN 60 715 TH35, TH15 and G32 rails