

SOFT-CASE

SOFT-CASE



THE PRODUCT

The first pocket size case with “wide-format” design. From now on, larger displays can thus be accommodated in a user-friendly small space. The case design makes it easy not only to read off the display but also to operate the unit.

The intermediate ring represents a further innovation in the SOFT-CASE. Different colors and materials allow individual designs and interesting combinations.

YOUR ADVANTAGE

User-friendly design. Ideal for miniaturized electronics developments.

The unique “wide format” offers a generous interface area as well as sufficient room for larger displays.

Robust and sealed up to protection class IP 54. The all-round intermediate ring serves as a sealing ring and impact protection device (TPE version) and also ensures there is more installation volume. Individual choice of colors and designs on request.

Available with or without battery operation. Snap-in battery compartment lid; if required, this can be secured by a screw.

Recessed operating area for the protection of the membrane keyboard.

APPLICATIONS

Remote control units of many different kinds, wireless or with cable.

Measurement and control engineering. Digital control technology.

Medical and laboratory technology.

Peripheral and interface equipment. Communications technology.

MAX. SIZE OF PCB

SOFT-CASE	L x W in inches	
	base part without / with batt. comp.	top part
S	—	1.693 x 2.953
M	2.205 x 3.780 / 1.024 x 3.780	2.205 x 3.780
L	2.480 x 4.252 / 0.906 x 4.252	2.480 x 4.252
XL	3.228 x 5.512 / 1.181 x 5.512	3.228 x 5.512

(cutouts of pillars not taken into consideration)

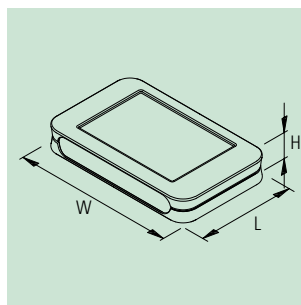
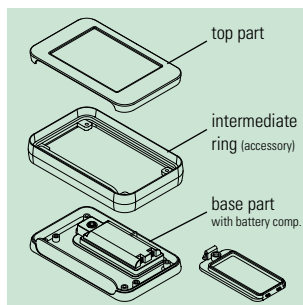
SOFT-CASE



- Off-white, RAL 9002
- Lava, NCS S 7502-B
- Black, RAL 9005

Intermediate ring

- Off-white, RAL 9002
- Matt chromed
- Volcano, NCS S 5502-G
- Lava, NCS S 7502-B
- Black, RAL 9005



INFO-BOX

Two different materials

The material combination of ABS (base and top parts) and optionally TPE (intermediate ring) gives the SOFT-CASE a pleasant touch sensation.

Moreover, the silver intermediate ring provides a precious metallic look resp. touch.

Depending on version, infra-red permeable PMMA (plexiglass®) ensures maximum mobility.

Practical intermediate ring

Easy to handle: simply insert it between the base and the top part and screw the case together.



SOFT-CASE

SOFT-CASE

ENCLOSURES

SOFT-CASE	Outside dim. in inches			Equipment (dim. in inches)		ABS (UL 94 HB) off-white	ABS (UL 94 HB) lava	PMMA (plexiglass®) black
	L	W	H	battery compartment	max. dim. keypad			
S*1	2.008	3.268	0.551	–	1.421 x 2.150	A 90 50 107	A 90 50 108	A 90 50 209
M	2.559	4.134	0.748	–	1.839 x 2.768	A 90 51 107	A 90 51 108	A 90 51 209
	2.559	4.134	0.748	2 x AAA	1.839 x 2.768	A 90 51 117	A 90 51 118	A 90 51 219
L	2.874	4.567	0.945	–	2.020 x 3.051	A 90 52 107	A 90 52 108	A 90 52 209
	2.874	4.567	0.945	2 x AA	2.020 x 3.051	A 90 52 117	A 90 52 118	A 90 52 219
	2.874	4.567	0.945	1 x 9 V	2.020 x 3.051	A 90 52 127	A 90 52 128	A 90 52 229
XL	3.622	5.906	1.102	–	2.644 x 3.978	A 90 53 107	A 90 53 108	A 90 53 209
	3.622	5.906	1.102	4 x AA	2.644 x 3.978	A 90 53 117	A 90 53 118	A 90 53 219

ACCESSORIES

Article	Version / Application	Part-No.			
		S	M	L	XL
① Intermediate ring / Intermediate protection ring (TPE only)	ABS, off-white RAL 9002, for 0.079" (S) / 0.118" (M, L) / 0.197" (XL) more instal. height	A 91 50 017	A 91 51 017	A 91 52 017	A 91 53 017
	ABS, lava NCS S 7502-B, for 0.079" (S) / 0.118" (M, L) / 0.197" (XL) more instal. height	A 91 50 018	A 91 51 018	A 91 52 018	A 91 53 018
	ABS, matt chromed*2, for 0.079" (S) / 0.118" (M, L) / 0.197" (XL) more instal. height	A 91 50 011	A 91 51 011	A 91 52 011	A 91 53 011
	PMMA (plexiglass®), black, for 0.079" (S) / 0.118" (M, L) / 0.197" (XL) more instal. height	A 91 50 219	A 91 51 219	A 91 52 219	A 91 53 219
	TPE, volcano NCS S 5502-G, for 0.079" (S) / 0.118" (M, L) / 0.197" (XL) more instal. height	A 91 50 118	A 91 51 118	A 91 52 118	A 91 53 118
② Set of battery clips	nickel-plated, for 2 x 1.5 V micro cells (AAA)	–	A 91 51 010	–	–
	nickel-plated, for 2 resp. 4 x 1.5 V mignon cells (AA)	–	–	A 91 52 010	A 91 52 010
	tin-plated, for 1 x 9 V flat battery	–	–	A 91 74 006	–
		off-white		lava	black
③ Combi-Clip*3	ABS, serves as a clip and/or wall suspension, suitable for S, M, L & XL, 1 set	A 91 52 047	A 91 52 048	A 91 52 049	
④ Tilt foot bar	ABS, 2 mounting holes ø 0.165" necessary, suitable for S, M, L & XL, 1 set	A 91 52 057	A 91 52 058	A 91 52 059	
⑤ Ring eyelet S/M/L XL	Plastic, volcano, inside ring ø 0.098", max. wall thickness 0.118", location hole ø 0.157" required				A 91 00 001
	Plastic, volcano, inside ring ø 0.157", max. wall thickness 0.157", location hole ø 0.197" required				A 91 00 002



*1 recommended tightening torques for ABS versions without intermediate ring max. 40 Ncm intermediate ring 35 Ncm

*2 during assembly ensure that the surface is conductive

*3 two mounting holes ø 0.165" necessary, assembly oriented towards the length or width (size S towards the length only), for a battery exchange, the clip can easily be removed

for order details hand strap/
carrying strap see page 104

NEW PRODUCT

SOFT-CASE