



NEW PRODUCTS



PROGRAMME
Enclosures & Knobs
Supplement 2007





You are in the right place here! You will be inspired by our new products. Through its consistent harmony of appearance, ergonomics and function, OKW's advanced design perfectly reflects the advantages for the user.





ADVANTAGES FOR USERS

Products that go down well with the user must be

- user-friendly,
- ergonomic,
- aesthetic,
- innovative,
- modern, up-to-date,
- comfortable and
- prestigious

– all advantages that our latest developments possess. Have a look at them. You will find a detailed presentation on the following pages.

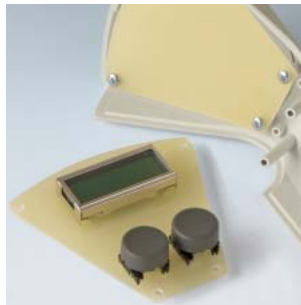
SERVICES

OKW standard cases and tuning knobs offer plenty of scope for your individual product and appearance. So use our “comprehensive service”. This is how to achieve cost-effective solutions – quickly and reliably. Decide in favour of OKW here too!

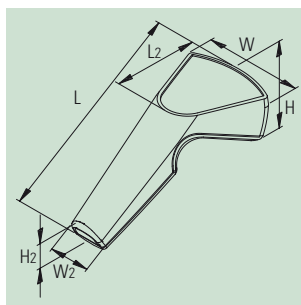
Extract from our service programme:

- ALVACOAT® 250
- milling, drilling, punching
- silk-screen / tampo printing
- surface finishing, e.g. water transfer printing and Soft-Touch
- assembly
- membrane keyboards, decorative foil
- thermoforming
- customer's moulds in conjunction with standard parts

Find out about us, either on the Internet or from our advisor.



Off-white, RAL 9002
 Lava, NCS S 7502-B



THE PRODUCT

SENSO-CASE is ideal for ergonomically favourable single-handed operation, and offers many different possible applications.

Specific measuring, controlling and signalling tasks as well as the recording of data using opto-electronic components can be carried out easily, quickly and reliably.

YOUR ADVANTAGE

Particularly user-friendly thanks to its ergonomic handle, suitable for right-handers as well as left-handers.

Recessed control panel for membrane and silicone keyboards, pushbuttons and display modules.

Fastening pillars in the top part, adapted in height to the current display modules for direct installation of PCBs and pushbuttons.

Ideal for preassembled electronics packages, including those with integrated interfaces.

Internal power supply with 2 x 1.5 V mignon cells (AA) or 1 x 9 V flat battery (PP3). Battery compartment for 2 x AA as well as cable strain relief for cable operation available as accessories. Simultaneous operation using standard/rechargeable batteries and cable possible.

APPLICATIONS

Sensor technology. Opto-electronics. Opto-digital technologies. Industrial image processing.

Measuring and control technology.

Stock and sales logging.

Medical field and laboratory technology.

Communication.

PROTECTION CLASS IP 41

INFO-BOX

Innovative technology

Fully preassembled electronics packages with integrated interfaces are suitable for installation in the top part. The bottom part with elevated front part hooks into the front of the top part and is “invisibly” screwed tight.

Push-on cable strain reliefs form an attractive connection with cable-linked applications and are available as accessories. Alternatively, the opening in the handle is closed by means of a moulded part included in the supply so that it is flush with the contour.

Finally, the handle cover is fitted. It also hooks into the top part and is secured by means of a metric screw.

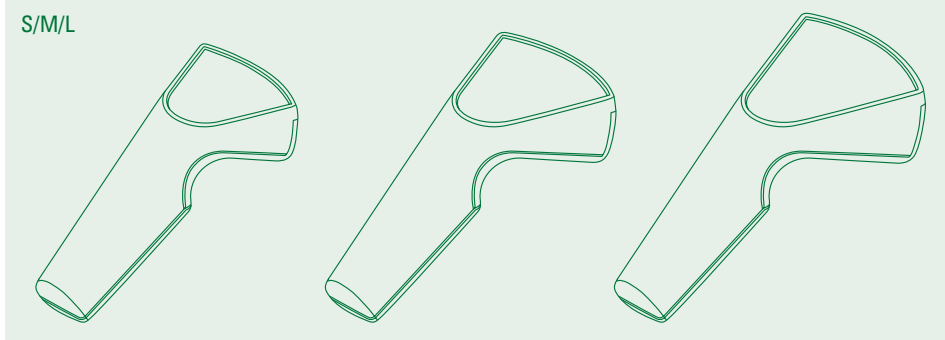
In preparation (mid-2007)

SENSO-CASE L:

Head section 20 mm longer than size M

SENSO-CASE S:

Head section 30 mm shorter than size M



ENCLOSURES

SENSO-CASE	Outside dim. in mm						Material	Part-No.	
	L	L ₂	W	W ₂	H	H ₂		off-white	lava
M	180	78	86	32	45	25	ABS (UL 94 HB)	A 90 56 107	A 90 56 108

ACCESSORIES

Article	For enclosure SENSOCASE	Version / Application	Part-No.
① Battery compartment* ¹	M	PP, black, for 2 x 1.5 V mignon cells (AA)	A 91 56 001
② Plug-in contact* ²	M	for battery compartment ① or 1 x 9 V flat battery (PP3), cable length 152 mm	A 91 56 002
③ Set of strain relief	M	for strain relief of cable connected applications	A 91 66 004
④ Cable strain relief	M	for cable ø 5.0 - 5.9 mm, elastomer, volcano	A 91 66 101
		for cable ø 4.2 - 5.0 mm, elastomer, volcano	A 91 66 131
		for cable ø 3.4 - 4.2 mm, elastomer, volcano	A 91 66 161
⑤ Self-tapping screw	M	2.5 x 6 mm, crosshead screw Z (type PZ1), for mounting PCBs, 1 pc	A 03 05 031



For max. size of PCB please refer to detailed drawing on our website

*¹ contacts to fit the plug-in contact ②

*² with protective case



THE PRODUCT

The first pocket-format standard case with “orientation towards the width”. From now on, larger displays can thus be accommodated in a user-friendly small space. The case design makes it easy not only to read off the display but also to operate the unit.

The intermediate ring represents a further innovation in the SOFT-CASE. Different colours and materials allow individual designs and interesting combinations.

YOUR ADVANTAGE

User-friendly design. Ideal for miniaturised electronics developments.

The unique “wide format” offers a generous interface area as well as sufficient room for larger displays.

Robust and sealed up to protection class IP 54. The all-round intermediate ring serves as a sealing ring and impact protection device (TPE version) and also ensures there is more installation volume. Individual choice of colours and designs on request.

Available with or without battery operation. Snap-in battery compartment lid; if required, this can be secured by a screw.

Recessed operating area for the protection of the membrane keyboard.

APPLICATIONS

Remote control units of many different kinds, wireless or with cable.

Measurement and control engineering. Digital control technology.

Medical and laboratory technology.

Peripheral and interface equipment. Communications technology.

MAX. SIZE OF PCB

SOFT-CASE	L x W in mm	
	base part without / with batt. comp.	top part
S	—	45 x 75
M	57 x 96 / 26 x 96	57 x 96
L	65 x 108 / 23 x 108	65 x 108

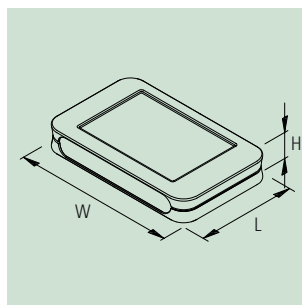
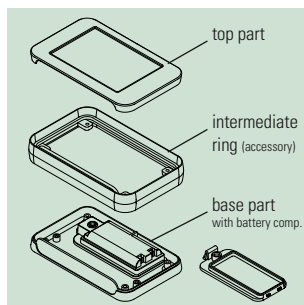
(cutouts of pillars not taken into consideration)



- Off-white, RAL 9002
- Lava, NCS S 7502-B
- Black, RAL 9005

Intermediate ring

- Off-white, RAL 9002
- Mat chromed
- Volcano, NCS 5502-G
- Lava, NCS S 7502-B
- Black, RAL 9005



INFO-BOX

Two different materials

The material combination of ABS (base and top parts) and optionally TPE (intermediate ring) gives the SOFT-CASE a pleasant touch sensation.

Moreover the silver intermediate ring provides a precious metallic look resp. touch.

Depending on version, infrared-permeable PMMA (plexiglass®) ensures maximum mobility.

Practical intermediate ring

Easy to handle: simply insert it between the base and the top part and screw the case together. Benefit from its advantages when using it as a sealing ring, for impact protection, for more installation volume (can also be retro-fitted) or for an individual design.



SOFT-CASE

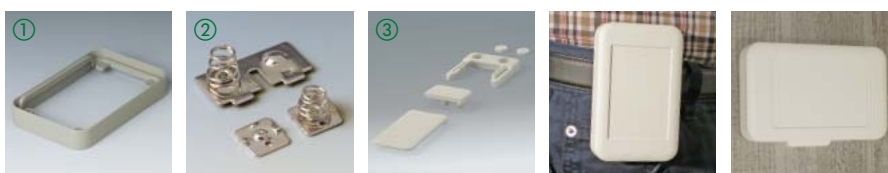
SOFT-CASE

ENCLOSURES

SOFT-CASE	Outside dim. in mm			Equipment (dim. in mm)		ABS (UL 94 HB) off-white	ABS (UL 94 HB) lava	PMMA (plexiglass®) black
	L	W	H	battery compartment	max. dim. keypad			
S*1	51	82	14	–	36.1 x 54.6	A 90 50 107	A 90 50 108	A 90 50 209
M	65	105	19	–	46.7 x 70.3	A 90 51 107	A 90 51 108	A 90 51 209
	65	105	19	2 x AAA	46.7 x 70.3	A 90 51 117	A 90 51 118	A 90 51 219
L	73	117	24	–	51.5 x 77.5	A 90 52 107	A 90 52 108	A 90 52 209
	73	117	24	2 x AA	51.5 x 77.5	A 90 52 117	A 90 52 118	A 90 52 219
	73	117	24	1 x 9 V (PP3)	51.5 x 77.5	A 90 52 127	A 90 52 128	A 90 52 229

ACCESSORIES

Article	Version / Application	Part-No.		
		S	M	L
Intermediate ring	ABS, off-white RAL 9002, for 2 mm (S) / 3 mm (M, L) more installation height	A 91 50 017	A 91 51 017	A 91 52 017
	ABS, lava NCS S 7502-B, for 2 mm (S) / 3 mm (M, L) more installation height	A 91 50 018	A 91 51 018	A 91 52 018
	ABS, mat chromed, for 2 mm (S) / 3 mm (M, L) more installation height	A 91 50 011	A 91 51 011	A 91 52 011
	PMMA (plexiglass®), black, for 2 mm (S) / 3 mm (M, L) more inst. height	A 91 50 219	A 91 51 219	A 91 52 219
	TPE, volcano NCS 5502-G, for 2 mm (S) / 3 mm (M, L) more installation height	A 91 50 118	A 91 51 118	A 91 52 118
① Intermediate protection ring	TPE, volcano NCS 5502-G, for 2 mm (S) / 3 mm (M, L) more installation height	–	A 91 51 010	–
② Set of battery clips	nickel-plated, for 2 x 1.5 V micro cells (AAA)	–	–	A 91 52 010
	nickel-plated, for 2 x 1.5 V mignon cells (AA)	–	–	A 91 52 010
	tin-plated, for 1 x 9 V flat battery (PP3)	–	–	A 91 74 006
		off-white	lava	black
③ Combi-Clip*2	ABS, serves as a clip and/or wall-suspension, suitable for S, M & L, 1 set	A 91 52 047	A 91 52 048	A 91 52 049



*1 recommended tightening torques for ABS versions without intermediate ring max. 40 Ncm / with intermediate ring 35 Ncm

*2 two mounting holes \varnothing 4.2 mm necessary, assembly oriented towards the length or width (size S towards the length only), for a battery exchange, the clip can easily be removed



THE PRODUCT

The fast and simple locking capability onto standardised rails complying with DIN EN 60 715 TH35 characterises the RAILTEC B family of cases.

Different top parts make the case into a versatile and rational connection system.

When using terminals, the individual conductors can be connected and disconnected while the case is closed.

The connector lead avoids wiring faults when devices are exchanged during regular servicing.

YOUR ADVANTAGE

6 sizes following DIN 43 880, unit 1.

Different termination options each for commercial components like

- terminals
- PCB plug headers
- front connectors

Optionally 1 or 2 connection levels for case version VI; individual configuration with system components – according to need. Terminal guards in the higher versions give more room in the enclosures and a bigger surface to mill for bigger terminals.

Without/with ventilation slots for good heat removal.

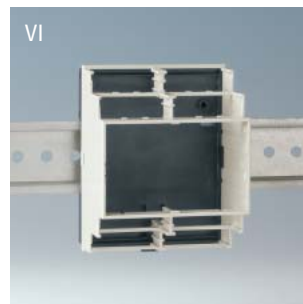
Flexible assembly. PCB positioning in all 3 directions: Base part with fixing pillars, top parts with guiding ridges.

Transparent lid protects display and operation elements.

Locking clip preassembled in base part.

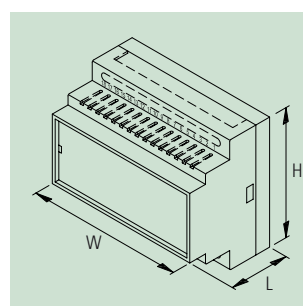
APPLICATIONS

Universal use as installation case. Fully insulated and protected according to VBG4 as well as IEC 529/ DIN VDE 0470-1. Corresponding to the regulations of the machine-building and motorcar industry. Especially for the control techniques.



Two coloured

- Top Light grey, RAL 7035
- Base, clip Black, RAL 9005

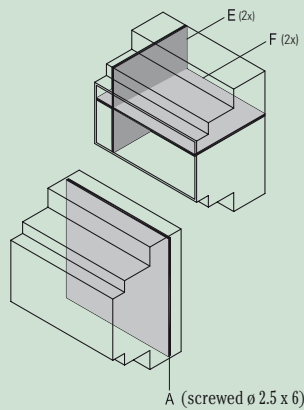


ENCLOSURES*1

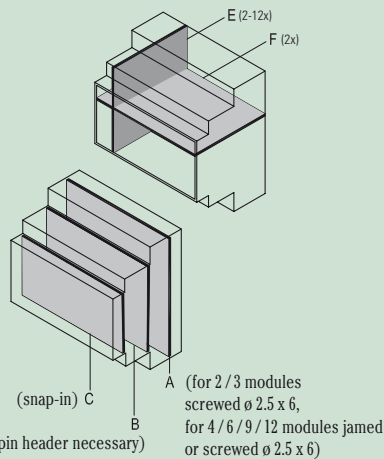
RAILTEC B	Outside dim. in mm			Version / Equipment		without ventilation slots	with ventilation slots
	W	H	L	termination options			
2 modules	35	86	58	I	terminal blocks 5.0/5.08 (10 terminals max.)	B 65 01 111	B 65 01 114
	35	86	58	II	plug header (2 x 5-poles) blocks 5.0/5.08	B 65 01 112	B 65 01 115
	35	86	58	III	closed case, e.g. for front connectors, SUB-D-connectors, etc.	B 65 01 113	B 65 01 116
	35	86	58	IV	terminal blocks 5.0/5.08 (5 terminals max., at the bottom only)	B 65 01 117	B 65 01 118
	35	86	58	V	perforation for max. 10 terminal blocks or 2 plug headers 5-poles*2	B 65 01 110	B 65 01 119
	35	90	58	VI	individual configuration see accessories (terminal guards / partition plate)	B 65 01 121	
3 modules	52	90	58	VI	individual configuration see accessories (terminal guards / partition plate)	B 65 02 121	
4 modules	70	86	58	I	terminal blocks 5.0/5.08 (24 terminals max.)	B 65 03 111	B 65 03 114
	70	86	58	II	plug header (2 x 12-poles) blocks 5.0/5.08	B 65 03 112	B 65 03 115
	70	86	58	III	closed case, e.g. for front connectors, SUB-D-connectors, etc.	B 65 03 113	B 65 03 116
	70	86	58	IV	terminal blocks 5.0/5.08 (12 terminals max., at the bottom only)	B 65 03 117	B 65 03 118
	70	86	58	V	perforation for max. 24 terminal blocks or 2 plug headers 12-poles*2	B 65 03 110	B 65 03 119
	70	90	58	VI	individual configuration see accessories (terminal guards / partition plate)	B 65 03 121	
6 modules	105	86	58.5	I	terminal blocks 5.0/5.08 (36 terminals max.)	B 65 04 111	B 65 04 114
	105	86	58.5	II	plug header (2 x 18-poles) blocks 5.0/5.08	B 65 04 112	B 65 04 115
	105	86	58.5	III	closed case, e.g. for front connectors, SUB-D-connectors, etc.	B 65 04 113	B 65 04 116
	105	86	58.5	IV	terminal blocks 5.0/5.08 (18 terminals max., at the bottom only)	B 65 04 117	B 65 04 118
	105	86	58.5	V	perforation for max. 36 terminal blocks or 2 plug headers 18-poles*2	B 65 04 110	B 65 04 119
	105	90	58	VI	individual configuration see accessories (terminal guards / partition plate)	B 65 04 121	
9 modules	157	86	58.5	I	terminal blocks 5.0/5.08 (52 terminals max.)	B 65 05 111	B 65 05 114
	157	86	58.5	II	plug header (4 x 13-poles) blocks 5.0/5.08	B 65 05 112	B 65 05 115
	157	86	58.5	III	closed case, e.g. for front connectors, SUB-D-connectors, etc.	B 65 05 113	B 65 05 116
	157	86	58.5	IV	terminal blocks 5.0/5.08 (26 terminals max., at the bottom only)	B 65 05 117	B 65 05 118
	157	86	58.5	V	perforation for max. 52 terminal blocks or 4 plug headers 13-poles*2	B 65 05 110	B 65 05 119
	157	90	58	VI	individual configuration see accessories (terminal guards / partition plate)	B 65 05 121	
12 modules	210	90	58	VI	individual configuration see accessories (terminal guards / partition plate)	B 65 06 121	

Max. size of PCB

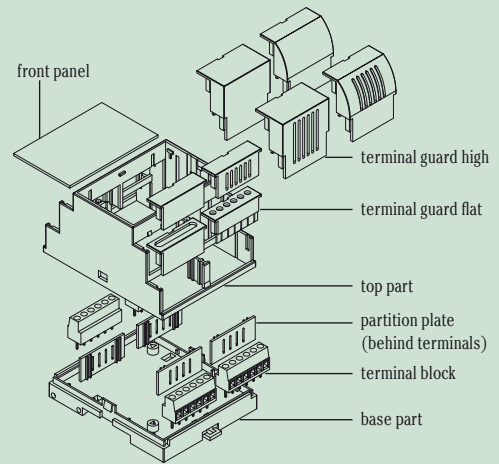
Versions I - V (1,6 mm thick)



Version VI



Individual configuration version VI



For enclosure RAILTEC B	Versions I - V			Version VI				
	A	E*3	F	A	B*3	C	E*3	F*4
2 modules	29 x 82	41,5 x 56,6	41,5 x 31	29 x 82	31,5 x 62	31 x 41,5	62,5 x 40,4	32,5 x 40,5
3 modules	—	—	—	46,5 x 82	49 x 62	48,5 x 41,5	62,5 x 40,4	50 x 40,5
4 modules	63,5 x 82	41,5 x 56,6	41,5 x 66,5	63,5 x 82	88 x 62	66 x 41,5	62,5 x 40,4	67,5 x 40,5
6 modules	98,5 x 82	41,5 x 56,6	41,5 x 101	98,5 x 82	101 x 62	101 x 41,5	62,5 x 40,4	102,5 x 40,5
9 modules	150,3 x 82	41,5 x 56,6	41,5 x 153	150,3 x 82	153,5 x 62	153,5 x 41,5	62,5 x 40,4	155 x 40,5
12 modules	—	—	—	201 x 82	200 x 62	206 x 41,5	62,5 x 40,4	207 x 40,5

*1 material: base parts PPO (UL 94 V-0), top parts PC (UL 94 V-0)

*2 block 5.0; the perforations can be separated quickly and easily

*3 cutouts not taken into consideration

*4 max. size of PCB without PCBs B and C only

NEW VERSIONS

ACCESSORIES

Part-No.	Article	Type	For enclosure RAILTEC B (version VI)	Version / Equipment		
				Pole (max.)		
B 66 07 140	① Terminal guards flat max. number each case: 4 pcs – 2/3 modules 8 pcs – 4/6 modules 12 pcs – 9 modules 16 pcs – 12 modules	closed	2/4 modules (VI)	–	PC (UL 94 V-0), light grey, 1 pc	
B 66 08 140			3/6/9/12 modules (VI)	–	PC (UL 94 V-0), light grey, 1 pc	
B 66 07 141		with ventilation slots	2/4 modules (VI)	–	PC (UL 94 V-0), light grey, 1 pc	
B 66 08 141			3/6/9/12 modules (VI)	–	PC (UL 94 V-0), light grey, 1 pc	
B 66 07 142		for terminal blocks, block 5.0	2/4 modules (VI)	6	PC (UL 94 V-0), light grey, 1 pc	
B 66 08 142			3/6/9/12 modules (VI)	9	PC (UL 94 V-0), light grey, 1 pc	
B 66 07 143		perforated, block 5.0	2/4 modules (VI)	6	PC (UL 94 V-0), light grey, 1 pc	
B 66 08 143			3/6/9/12 modules (VI)	9	PC (UL 94 V-0), light grey, 1 pc	
B 66 07 160		② Terminal guards high max. number each case: 2 pcs – 2/3 modules 4 pcs – 4/6 modules 6 pcs – 9 modules 8 pcs – 12 modules	closed	2/4 modules (VI)	–	PC (UL 94 V-0), light grey, 1 pc
B 66 08 160				3/6/9/12 modules (VI)	–	PC (UL 94 V-0), light grey, 1 pc
B 66 07 161			with ventilation slots	2/4 modules (VI)	–	PC (UL 94 V-0), light grey, 1 pc
B 66 08 161				3/6/9/12 modules (VI)	–	PC (UL 94 V-0), light grey, 1 pc
B 66 07 162			convex, closed	2/4 modules (VI)	–	PC (UL 94 V-0), light grey, 1 pc
B 66 08 162			3/6/9/12 modules (VI)	–	PC (UL 94 V-0), light grey, 1 pc	
B 66 07 163	convex, with ventilation slots		2/4 modules (VI)	–	PC (UL 94 V-0), light grey, 1 pc	
B 66 08 163			3/6/9/12 modules (VI)	–	PC (UL 94 V-0), light grey, 1 pc	
B 66 07 191	③ Partition plate max. number each case: 2 pcs – 2/3 modules; 4 pcs – 4/6 modules; 6 pcs – 9 mod.; 8 pcs – 12 mod.		with ventilation slots	2/4 modules (VI)	PC (UL 94 V-0), light grey, 1 pc separates the electronic and terminal area when used without terminal guard (undermost level), connections externally accessible	
B 66 08 191				3/6/9/12 modules (VI)		

Version (PC UL 94 V-0)			Article	For enclosure RAILTEC B (version VI)	Dim. in mm
light grey	red transparent	smoked glass			
B 66 01 180	B 66 01 480	B 66 01 580	④ Front panel	2 modules (VI)	42 x 32
B 66 02 180	B 66 02 480	B 66 02 580		3 modules (VI)	42 x 49
B 66 03 180	B 66 03 480	B 66 03 580		4 modules (VI)	42 x 67
B 66 04 180	B 66 04 480	B 66 04 580		6 modules (VI)	42 x 102
B 66 05 180	B 66 05 480	B 66 05 580		9 modules (VI)	42 x 154
B 66 06 180	B 66 06 480	B 66 06 580		12 modules (VI)	42 x 206

Part-No.	Article	For enclosure RAILTEC B	Version
B 66 01 100	⑤ Lid	2 modules	PC (UL 94 V-0), transparent, 1 pc
B 66 02 100		3 modules	PC (UL 94 V-0), transparent, 1 pc
B 66 03 100		4 modules	PC (UL 94 V-0), transparent, 1 pc
B 66 04 100		6 modules	PC (UL 94 V-0), transparent, 1 pc
B 66 05 100		9 modules	PC (UL 94 V-0), transparent, 1 pc
B 66 06 100		12 modules	PC (UL 94 V-0), transparent, 1 pc
B 66 00 334	⑥ Wall-suspension element	for all case sizes	plastic, black, set with 2 pcs

Part-No.	Article	For enclosure RAILTEC B	poles max. cable ø max. number each case		
			poles	max. cable ø	max. number each case
B 66 01 111	⑦ Terminal block, block 5.0 PC (UL 94 V-0)	2 modules	5	2.5 mm ²	2 pcs for versions I + V or 1 pc for version IV
B 66 07 111		2/4 modules	6	2.5 mm ²	4/8 pcs for version VI
B 66 08 111		3/6/9/12 modules	9	2.5 mm ²	4/8/12/16 pcs for version VI
B 66 03 111		4 modules	12	2.5 mm ²	2 pcs for versions I + V or 1 pc for version IV
B 66 04 111		6 modules	18	2.5 mm ²	2 pcs for versions I + V or 1 pc for version IV
B 66 05 111		9 modules	13	2.5 mm ²	4 pcs for versions I + V or 2 pcs for version IV
B 66 00 111		for all width	36	2.5 mm ²	for versions I, V, IV + VI, for cutting into sections
"PCB" "Plug"					
B 66 01 222	⑧ Plug header, block 5.08 PA 68 (UL 94 V-0)	2 modules	5	2.5 mm ²	2 pcs for versions II + V
B 66 08 222		2/4 modules	6	2.5 mm ²	4/8 pcs for version VI
B 66 02 222		3/6/9/12 module	9	2.5 mm ²	4/8/12/16 pcs for version VI
B 66 03 222		4 modules	12	2.5 mm ²	2 pcs for versions II + V
B 66 04 222		6 modules	18	2.5 mm ²	2 pcs for versions II + V
B 66 05 222		9 modules	13	2.5 mm ²	4 pcs for versions II + V



NEW

Picture	Product Group Article	Version	Part-No.																		
	DATEC-CONTROL M / L Protector Absorbs impacts and protects surfaces. Available either with or without shoulder strap for comfortable carrying. Enclosures and further accessories see our website / catalogue pages 18-21.	M without shoulder strap	A 91 78 108																		
		M with shoulder strap	A 91 78 208																		
		L without shoulder strap	A 91 79 108																		
		L with shoulder strap	A 91 79 208																		
		Protector: Elastomer volcano-coloured. Shoulder strap: approx. 1,800 x 20 mm, black, easy to thread into the openings provided, with push-in buckle, adjustable in length																			
	DIATEC S / M Hinged lid in a clear version Offers a clear view of display and operating elements that have to be located so that they are protected from dust and damp. Enclosures and further accessories see our website / catalogue pages 28-29.	S PC (UL 94 HB), clear, 1 set	A 91 93 131																		
		M PC (UL 94 HB), clear, 1 set	A 91 94 131																		
	ART-CASE 110 / 160 Screw-down lid available as individual part; for replacing existing vers. I and II <u>without</u> battery comp. Screw-down battery comp. lid available as individual part; for replacing existing vers. I and II Further versions of the ART-CASE range see our website / catalogue pages 72-74.	with lid*1 screw-down																			
		<table border="1"> <thead> <tr> <th>Size</th> <th>Version bottom part</th> <th>top part →</th> </tr> </thead> <tbody> <tr> <td>110</td> <td>I bottom part "flush"</td> <td></td> </tr> <tr> <td>110</td> <td>II bottom part "desk"</td> <td></td> </tr> <tr> <td>160</td> <td>II bottom part "desk"</td> <td></td> </tr> </tbody> </table>	Size	Version bottom part	top part →	110	I bottom part "flush"		110	II bottom part "desk"		160	II bottom part "desk"		<table border="1"> <thead> <tr> <th>F</th> <th>H</th> </tr> </thead> <tbody> <tr> <td>B 50 11 047 110 x 110 x 30 mm</td> <td>B 50 11 147 110 x 110 x 38 mm</td> </tr> <tr> <td>B 50 11 247 110 x 110 x 38 mm</td> <td>B 50 11 347 110 x 110 x 41 mm</td> </tr> <tr> <td>B 50 16 247 160 x 110 x 38 mm</td> <td>B 50 16 347 160 x 110 x 41 mm</td> </tr> </tbody> </table>	F	H	B 50 11 047 110 x 110 x 30 mm	B 50 11 147 110 x 110 x 38 mm	B 50 11 247 110 x 110 x 38 mm	B 50 11 347 110 x 110 x 41 mm
Size	Version bottom part	top part →																			
110	I bottom part "flush"																				
110	II bottom part "desk"																				
160	II bottom part "desk"																				
F	H																				
B 50 11 047 110 x 110 x 30 mm	B 50 11 147 110 x 110 x 38 mm																				
B 50 11 247 110 x 110 x 38 mm	B 50 11 347 110 x 110 x 41 mm																				
B 50 16 247 160 x 110 x 38 mm	B 50 16 347 160 x 110 x 41 mm																				
	with battery compartment lid*2 screw-down	F	H																		
		<table border="1"> <tbody> <tr> <td>B 50 11 057 110 x 110 x 30 mm</td> <td>B 50 11 157 110 x 110 x 38 mm</td> </tr> <tr> <td>B 50 11 257 110 x 110 x 38 mm</td> <td>B 50 11 357 110 x 110 x 41 mm</td> </tr> <tr> <td>B 50 16 257 160 x 110 x 38 mm</td> <td>B 50 16 357 160 x 110 x 41 mm</td> </tr> </tbody> </table>	B 50 11 057 110 x 110 x 30 mm	B 50 11 157 110 x 110 x 38 mm	B 50 11 257 110 x 110 x 38 mm	B 50 11 357 110 x 110 x 41 mm	B 50 16 257 160 x 110 x 38 mm	B 50 16 357 160 x 110 x 41 mm	<table border="1"> <tbody> <tr> <td>B 50 11 847</td> </tr> <tr> <td>B 50 11 857</td> </tr> </tbody> </table>	B 50 11 847	B 50 11 857										
B 50 11 057 110 x 110 x 30 mm	B 50 11 157 110 x 110 x 38 mm																				
B 50 11 257 110 x 110 x 38 mm	B 50 11 357 110 x 110 x 41 mm																				
B 50 16 257 160 x 110 x 38 mm	B 50 16 357 160 x 110 x 41 mm																				
B 50 11 847																					
B 50 11 857																					
	ACCESSORIES Combi-Clip Universally usable for small plastic case as a push-on clip for shirt or belt (width 30 mm, thickness approx. 3 mm) and/or as a wall suspension unit. 3-part design: adapter, push-on clip and wall-suspension element with screw head covers. The push-on clip is removable. This makes the bottom side of the case freely accessible.	ABS, off-white, RAL 9002, 1 set	A 91 52 047																		
		ABS, lava, NCS S 7502-B, 1 set	A 91 52 048																		
		ABS, black, RAL 9005, 1 set	A 91 52 049																		
		2 boreholes ø 4.2 mm at a center distance of 9 mm necessary. For enclosures with minimum 4 mm wall thickness or spacer required.																			
	ACCESSORIES Battery clips Non corrosive material (CuBe ₂ nickel-plated). Especially for use in corrosion-causing areas, where salty and sour atmospheres prevail. Further versions on our website / catalogue page 94.	large, double contact	A 91 93 008																		
		small, single contact	A 91 93 009																		
	COM-KNOBS Cover and Peak in colour nero For unicoloured knob design. COM-KNOBS and further accessories on our website / tuning knobs catalogue pages 10-13.	Cover ø 16	A 32 16 009																		
		Cover ø 20	A 32 20 009																		
	For unicoloured knob design. COM-KNOBS and further accessories on our website / tuning knobs catalogue pages 10-13.	Cover ø 23	A 32 23 009																		
		Cover ø 31	A 32 31 009																		
		Cover ø 40	A 32 40 009																		
		Cover ø 50	A 32 50 009																		
		Marking element Peak ø 16	A 33 16 009																		
		Marking element Peak ø 20 – 50	A 33 20 009																		
			with finger recess																		
	A 32 40 109																				
	A 32 50 109																				

*1 Not suitable for use with the battery compartment!

*2 Battery compartment 2 x AAA and set of battery clips available as accessories, see Internet / catalogue pages 72-74.



THE PRODUCT

One could not have chosen a more suitable name, for the STAR-KNOBS – like the stars in the sky – they represent the visual highlights of your equipment.

The illumination guides the user to the central user interface and also gives impressive emphasis to innovative equipment design.

The flush-fitting installation in the built-in version, with an attractive transition from the knob to the front of the device, also represents an innovation.

In the surface-mounted version, the knob design makes a great impression thanks to the slight inclination of the body towards the inner axis, thus allowing ergonomically favourable operation.

YOUR ADVANTAGE

Aesthetically sophisticated knob design.

Two installation versions (surface-mounted or flush-fitting). Two sizes each.

Optional illumination possible with modern, energy-saving SMD LED technology.

Ergonomic design features: finger recess (lid), knurls (knob) and inclined body (knob).

Tried and tested collet fixture system with secure fit on the axle.

Taking account of minimum batch sizes, we can also produce our STAR-KNOBS range in special colours. Tell us what you would like and what quantities you require.

APPLICATIONS

For rotary potentiometers or rotary pulse generators with round shaft ends in accordance with DIN 41 591, including touch function.

Measuring and control technology. Medical field and laboratory technology. Heating and air conditioning.

MATERIAL

Knob and assembly kit
PA 6 reinforced / PC transparent.
Cover PA 6 reinforced.

Knob

- Nero, NCS 9000-N
- Volcano, NCS 5502-G
- Diamond
- Ruby
- Emerald
- Sapphire

Cover

- Nero, NCS 9000-N
- Volcano, NCS 5502-G

Visual parts of assembly kits

“flush-fitting”

- Nero, NCS 9000-N
- Volcano, NCS 5502-G

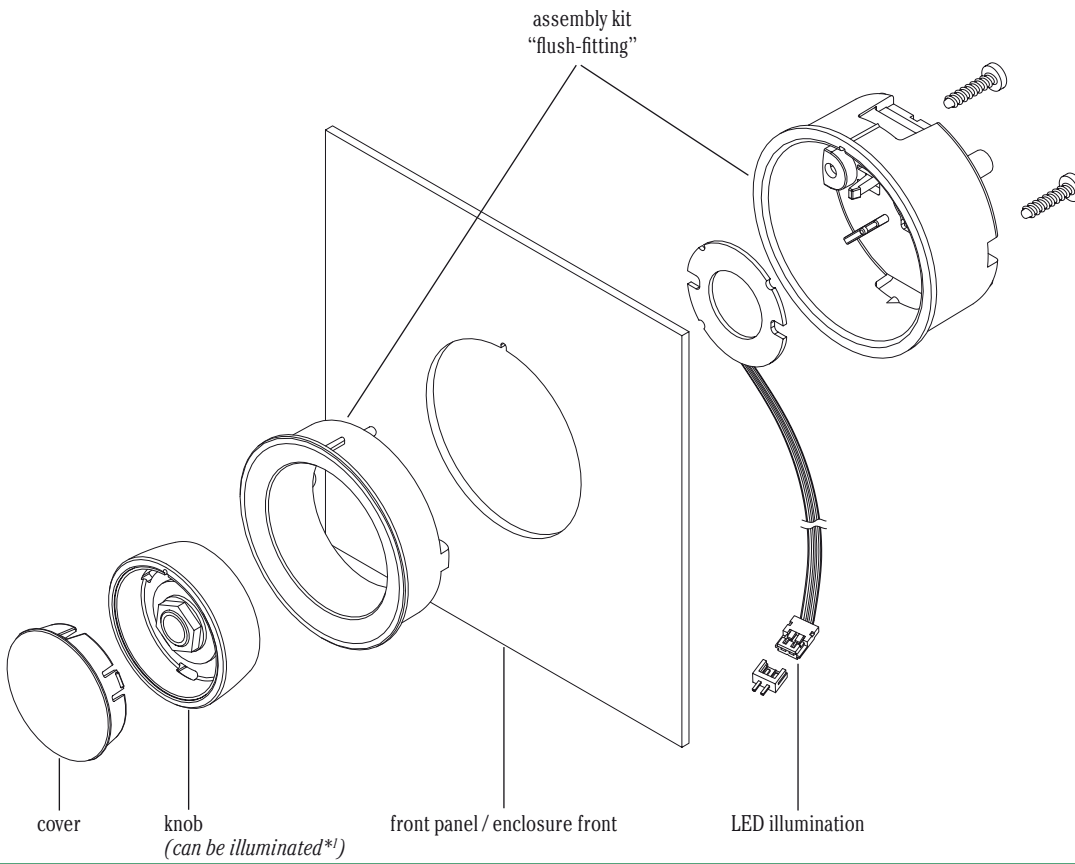
“surface-mounted”

- Nero, NCS 9000-N
- Volcano, NCS 5502-G
- Diamond
- Ruby
- Emerald
- Sapphire



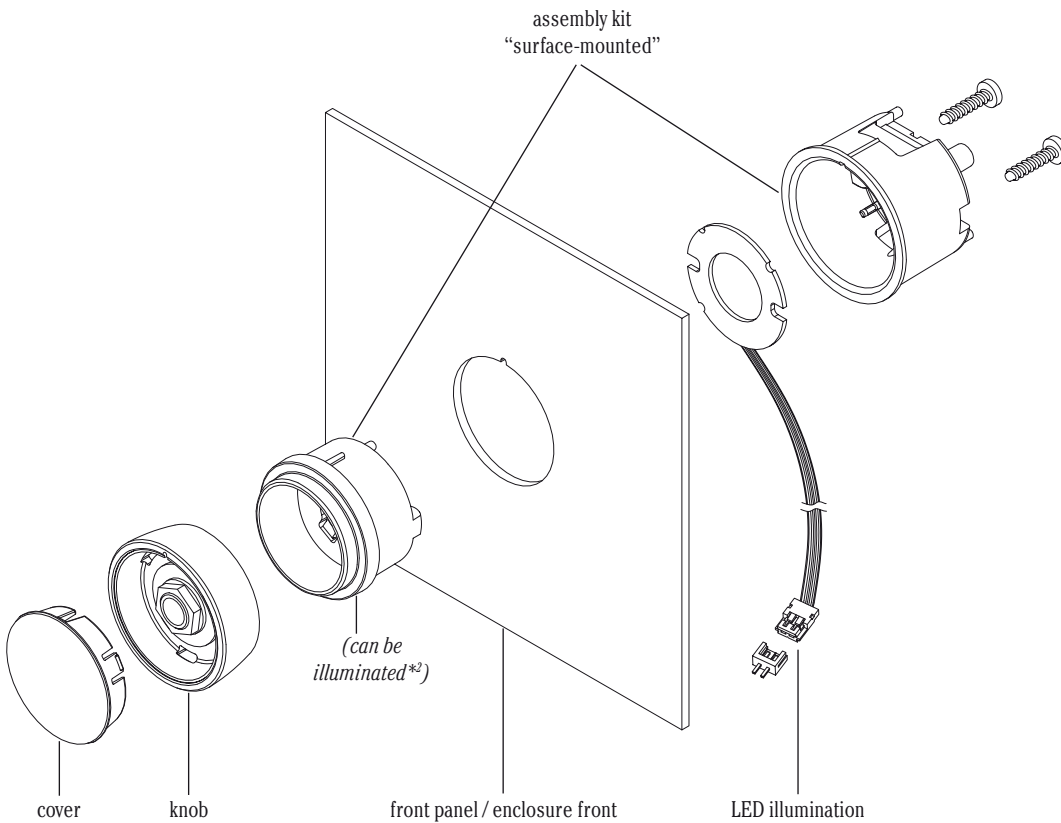
VARIANTS

“FLUSH-FITTING”



*1 For individual illumination, please order the *knob* in *translucent* (diamond / ruby / emerald / sapphire). For LED illumination with white light see accessories page 15.

“SURFACE-MOUNTED”



*2 For individual illumination, please order the *assembly kit* of the surface-mounted version in *translucent* (diamond / ruby / emerald / sapphire). For LED illumination with white light see accessories page 15.

KNOB

PA		PC*1		Knob ø	Borehole D	Colour	Torque (Nm)		Dim. in mm
							assembly	function	
B 80 33 068	B 81 33 068			33	6 mm	●	1.8	1.6	
B 80 33 069	B 81 33 069					●			
		B 82 33 061	B 83 33 061			○			
		B 82 33 063	B 83 33 063			●			
		B 82 33 065	B 83 33 065			●			
		B 82 33 066	B 83 33 066	●					
B 80 33 638	B 81 33 638			1/4"	1/4"	●	1.8	1.6	
B 80 33 639	B 81 33 639					●			
		B 82 33 631	B 83 33 631			○			
		B 82 33 633	B 83 33 633			●			
		B 82 33 635	B 83 33 635			●			
		B 82 33 636	B 83 33 636	●					
B 80 41 068	B 81 41 068			41	6 mm	●	2.5	1.6	
B 80 41 069	B 81 41 069					●			
		B 82 41 061	B 83 41 061			○			
		B 82 41 063	B 83 41 063			●			
		B 82 41 065	B 83 41 065			●			
		B 82 41 066	B 83 41 066	●					
B 80 41 088	B 81 41 088			8 mm	8 mm	●	2.8	1.8	
B 80 41 089	B 81 41 089					●			
		B 82 41 081	B 83 41 081			○			
		B 82 41 083	B 83 41 083			●			
		B 82 41 085	B 83 41 085			●			
		B 82 41 086	B 83 41 086	●					

COVERS

		For knob ø	Colour	Dim. in mm					
				a	b	c	d	without finger recess	with finger recess
B 86 33 008	B 86 33 108	33	●	29	28	9	1.7		
B 86 33 009	B 86 33 109		●						
B 86 41 008	B 86 41 108	41	●	37	36	11	1.7		
B 86 41 009	B 86 41 109		●						

ASSEMBLY KIT

flush-fitting version	surface-mounted version	For knob ø	Colour #2	Dim. in mm	
				flush-fitting version	surface-mounted version
B 87 33 118	B 87 33 218	33	●		
B 87 33 119	B 87 33 219		●		
	B 87 33 201		○		
	B 87 33 203		●		
	B 87 33 205		●		
	B 87 33 206	●			
B 87 41 118	B 87 41 218	41	●		
B 87 41 119	B 87 41 219		●		
	B 87 41 201		○		
	B 87 41 203		●		
	B 87 41 205		●		
	B 87 41 206	●			

Minimum components for 1 STAR-KNOB: 1 knob, 1 cover and 1 assembly kit.

COLOURS STAR-KNOBS

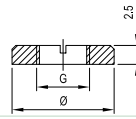
■ volcano, NCS 5502-G	□ diamond	■ emerald
■ nero, NCS 9000-N	■ ruby	■ sapphire

*1 knob can be illuminated individually (flush-fitting version)

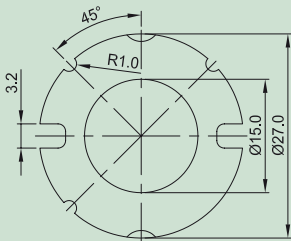
*2 can be illuminated individually in translucent (diamond / ruby / emerald / sapphire) version (surface-mounted version)

ACCESSORIES

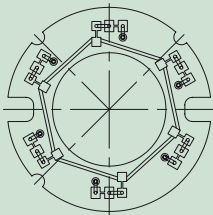
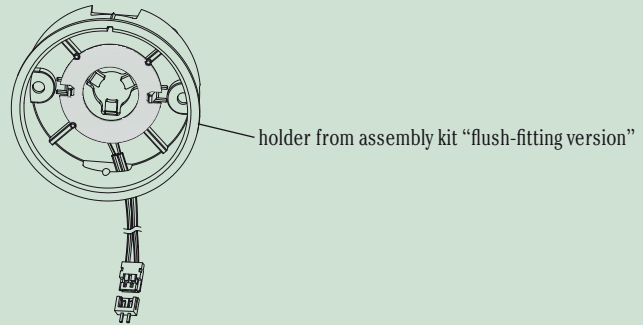
Article	For knob \varnothing	Version / Application	Part-No.
① LED illumination	33, 41	PCB \varnothing 27 mm with 6 LEDs (white light), SMD-technology, connecting cable 100 mm long, 2-pin connector at the end, incl. PCB connector	B 87 33 000
② Round nut	33, 41	For mounting of potentiometer at the assembly kit.	G \varnothing
			M 7 x 0.75 13.5
			M 10 x 0.75 12.5
③ Spanner	33, 41	For tightening round nuts.	A 62 07 009
			A 62 10 009
			A 62 95 009
			A 63 00 000



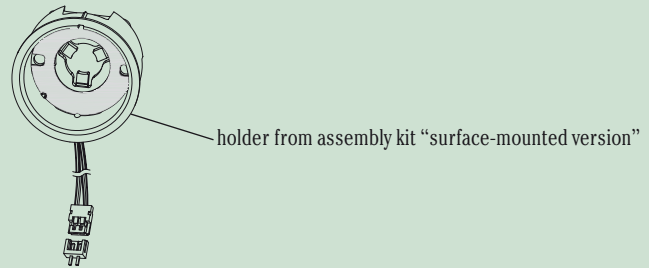
PCB with LED illumination (①) – for power supply units with 5 V



Mounting
“flush-fitting version”
(only in conjunction with the *translucent knob* in diamond / ruby / emerald and sapphire)



Mounting
“surface-mounted version”
(only in conjunction with the *translucent assembly kit* in diamond / ruby / emerald and sapphire)



A Austria

H & F Förster Ges.m.b.H.
Lameznanstr. 10
1230 Wien
Tel. (01) 4 02 21 48
Fax (01) 4 02 21 48 209
E-Mail office@forsterh.com
Web www.forsterh.com

AUS Australia

Soanar Pty Limited
9 Civic Square
Croydon, Victoria 3136
Tel. 61 3 9724 0888
Fax 61 3 9724 0878
E-Mail okw@soanar.com
Web www.soanar.com

B Belgium

Telerex N.V.
Bisschoppenhoofaan 255
2100 Antwerpen
Tel. (03) 3 26 40 00
Fax (03) 3 26 31 17
E-Mail info@telereurope.com
Web www.telereurope.com

Telerex S.A.
Rue Prés Champs 25B bte 2
4671 Brachon
Tel. (04) 2 40 61 00
Fax (04) 2 40 61 01
E-Mail info@telereurope.com
Web www.telereurope.com

BG Bulgaria

K1 Electronics Ltd.
55B, Layosh Koshut Str.
1606 Sofia
Tel. (2) 9 53 15 50
Fax (2) 9 52 49 08
E-Mail office@k1-bg.com
Web www.k1-bg.com

BR Brazil

sob
Schurter + OKW do Brasil
Componentes Eletrônicos Ltda.
Rua Santo Arcádio, 179 - Brooklin
São Paulo - SP - CEP 04707-110
Tel. 11 5041 3141
Fax 11 5042 2780
E-Mail info@sob-brasil.com
Web www.sob-brasil.com

BY Belarus

Components & Systems Ltd.
M. Tank Street, 2
220004 Minsk
Tel. (17) 2 06 32 35
Fax (17) 2 06 32 33
E-Mail hand@csl.minsk.by

CDN Canada

OKW Enclosures Inc.
Abele Business Park # 203
300 Old Pond Road
Bridgeville PA 15017
USA
Tel. (800) 9 65 98 72
Fax (412) 2 20 92 47
E-Mail sales@okwenclosures.com
Web www.okwenclosures.com

CH Switzerland

okatron AG
Altgraben 31
4624 Härkingen
Tel. 062 398 44 11
Fax 062 398 44 00
E-Mail info@okatron.ch
Web www.okatron.ch

CN China

Phoeni-tech Industry & Trading
(Shanghai) Co. Ltd.
JiaoZhou Rd. 728
Jiao Zhou Mansion Rm No. 0301
200040 Shanghai CN
Tel. 21 6298 8720 / 6298 6186
Fax 21 6299 5269
E-Mail phoenitec@online.sh.cn

CZ Czech Republic

okatec spol. s r.o.
Zámecká 193
564 01 Zámberk
Tel. 465 61 80 61
Fax 465 61 80 62
E-Mail info@okatec.cz
Web www.okatec.cz

D Germany

ORCA Gehäusetechnik GmbH
Vertriebsgesellschaft Deutschland Nord
Kreuzbreite 2
31737 Rinteln
Tel. (0 57 51) 92 52 70
Fax (0 57 51) 92 52 52
E-mail info@orcanord.de
Web www.orcanord.de

ORCA Gehäusetechnik GmbH
Vertriebsgesellschaft Deutschland Süd
Friedrich-List-Str. 7
74722 Buchen
Tel. (0 62 81) 56 23 0
Fax (0 62 81) 56 23 56
E-mail info@orca-gehaeuse.com
Web www.orca-gehaeuse.com

okw Kunststofftechnik GmbH
Vertriebsgesellschaft Deutschland Ost
Karlsbader Str. 5
09456 Annaberg-Buchholz
Tel. (0 37 33) 67 69 0
Fax (0 37 33) 67 69 17
E-mail Info@okw-kunststofftechnik.de
Web www.okw-kunststofftechnik.de

DK Denmark

Thorkild Larsen A/S
Nøglgårdsvej 12
Vassingerød
3540 Lyngø
Tel. 48 18 66 66
Fax 48 18 66 63
E-Mail vg@thorkild-larsen.dk
Web www.thorkild-larsen.dk

E Spain

Cenvalsa
Ulises, n° 104
28043 Madrid
Tel. (91) 7 21 60 12
Fax (91) 3 00 08 79
E-Mail sismecanic@cenval.es
Web www.cenval.es

EST Estonia

Elke Sensor LLC
Elektroni t. 8-60
11316 Tallinn
Tel. 655 4006
Fax 655 4048
E-Mail info@elkesensor.ee
Web www.elkesensor.ee

F France

okatron sa
ZAC Paris Nord 2, B.P. 60038
Avenue des Nations
95971 Roissy Ch. de Gaulle Cedex
Tel. 01 48 63 28 48
Fax 01 48 63 26 27
E-mail okatron@okatron.fr
Web www.okatron.fr

okatron sa
Agence Sud-Est
Villa Mercedes - Bât. C
153, route de Vourles
69230 Saint-Genis-Laval
Tel. 04 78 56 80 00
Fax 04 78 56 80 08

FIN Finland

Norettron Components Ltd.
PL 22 (Mankkaantie 32)
02631 Espoo
Tel. (10) 525 8000
Fax (09) 525 8010
E-Mail komponentti@norettron.fi
Web www.norettron.fi

GR Greece

h a r i l
2 A Aim. Tsokopoulou
Filothei 15237 Athens
Tel. 210 6 81 03 38
Fax 210 6 85 33 59
E-Mail harico@telas.gr

MAR Electronics
10, Salaminos Str.
54625 Thessaloniki
Tel. (2310) 53 26 58
Fax (2310) 53 25 57
E-Mail info@marelectronics.gr
Web www.marelectronics.gr

H Hungary

INNOMED Medical zrt.
Szabó József u. 12
1146 Budapest
Tel. 460-9212
Fax 460-9222
E-Mail innomed@innomed.hu
Web www.innomed.hu

I Italy

Alhof di A. Hofmann SPA
Via Petrocchi 38
20127 Milano
Tel. (02) 2 85 00 81
Fax (02) 26 14 24 78
E-Mail alhof@alhof.com
Web www.alhof.com

IL Israel

Ami-Tech Electronics
20 Ta'as st.
industrial area, Kfar-Saba
P.O. Box 50
Kfar-Saba 44425
Tel. 972-9-76 77 500
Fax 972-9-76 77 400
E-Mail pweiss@netvision.net.il
Web www.pweiss.co.il

IND India

Schurter Electronics (India) Pvt. Ltd.
Plot # 7, Road # 5,
Sardar Industrial Estate, Ajwa Road
Vadodra - 390 019, Gujarat
Tel. 265 256 9459 + 265 329 1042 /
43
Fax. 265 256 9448
E-Mail sales@schurter.co.in
Web www.schurter.co.in

J Japan

Settsu Metal
Industrial Co., Ltd.
4-1-26, Yagumonishi, Moriguchi
Osaka 570-0006
Tel. 06-6992-2331
Fax 06-6991-6269
E-Mail eigyou@settsu.co.jp
Web www.settsu.co.jp

MAL Malaysia

Camwell Industries Pte. Ltd.
59 Ubi Avenue 1, #03-11 Bizlink Centre
Singapore 408938
Tel. (65) 67 41 32 33
E-Mail camwchg@singnet.com.sg

N Norway

CS Systems AS
Vollsvæien 13C
1326 Lysaker
Tel. 67 16 51 00
Fax 67 16 51 50
E-Mail firmapost@cssystems.no
Web www.cssystems.no

NL Netherlands

Telerex Nederland B.V.
Postbus 6852
4802 HW Breda
Tel. (0 76) 5 78 20 00
Fax (0 76) 5 71 14 77
E-Mail info@telereurope.com
Web www.telereurope.com

NZ New Zealand

Soanar (New Zealand) Pty Limited
12 Earl Richardson Rd
Manukau City, Auckland
Tel. 9 262 24 61
Fax 9 262 24 74
E-Mail okw@soanar.com
Web www.soanar.com

P Portugal

Niposom - J. Nabais LDA
Rua Humberto da Cruz, 4
1900-260 Lisboa
Tel. 351-21-8440200
Fax 351-21-8409517
E-Mail compras@niposom.com
Web www.niposom.com

PL Poland

LC Elektronik
UL. PULKOWA 58
01-969 Warszawa
Tel. (22) 569 53 00
Fax (22) 569 53 10
E-Mail lcel@lcel.com.pl
Web www.lcel.com.pl

RO Romania

SC EEE S.A.
Bv. Industriilor Nr. 4
300714 Timisoara
Tel. (0) 256 29 16 61
Fax (0) 256 29 16 62
E-Mail ee@eee.ro
Web www.eee.ro

ROK Korea

Zoontech Enclosuresystem Co.
4525, Ma-dong
Joongang Circulation Complex
1258, Kurobon-don
Kuro-ku, Seoul
Tel. (82) 2 2060 8125
Fax (82) 2 2060 8123
E-Mail jschoi@zoontech.com
Web www.zoontech.com

RU Russia

EFO Ltd.
Politechnicheskaja, 21
St. Petersburg, 194021
Tel. (8 12) 3 31 09 64
Fax (8 12) 3 20 18 19
E-Mail eve@efo.spb.su
Web www.okw.ru

S Sweden

Swetouch AB
Wasaganatan 3
573 31 Tranås
Tel. (0) 140 77 33 80
Fax (0) 140 1 70 75
E-Mail patrik@swetouch.se
Web www.swetouch.se

Elfa AB

Elektronikhöjden 14
17580 Järfälla
Tel. (08) 58 09 41 00
Fax (08) 58 09 43 00
E-Mail order@elfa.se
Web www.elfa.se

SCG Serbia & Montenegro

TAGOR Electronic d.o.o.
Tihomira Brankovica 21
18000 Nis
Tel. (018) 575 545
Fax (018) 217 125
E-Mail tagor@eunet.yu
Web www.tagor.co.yu

SGP Singapore

Camwell Industries Pte. Ltd.
59 Ubi Avenue 1, #03-11 Bizlink Centre
Singapore 408938
Tel. (65) 67 41 32 33
E-Mail camwchg@singnet.com.sg

SK Slovakian Republic

ALTO Slovakia spol. s r.o.
Sládkovičova 33
059 21 Svit
Tel./Fax (052) 7757122, (052) 7757158
(052) 7756885
E-Mail okw@alto.sk
Web www.alto.sk

SLO Slovenia

Wilsonic d.o.o.
Sp. Senica 10/b
1215 Medvode
Tel. 386-1-3611278
Fax 386-1-3613095
E-Mail sonja@wilsonic.si
Web www.wilsonic.si

TH Thailand

Camwell Industries Pte. Ltd.
59 Ubi Avenue 1, #03-11 Bizlink Centre
Singapore 408938
Tel. (65) 67 41 32 33
E-Mail camwchg@singnet.com.sg

TR Turkey

Spektrum Elektronik
Sahih Omurtak Cad No 65 Kosuyolu
34718 Istanbul
Tel. (216) 4 28 45 45
Fax (216) 4 28 42 31
E-Mail fatih@spektrumelektronik.com

UA Ukraine

Biakom Ltd.
23-A, Salutnaya str.
Kiev 04111
Tel. 380-44-422 02 80
Fax 380-44-422 02 80
E-Mail oxana@biakom.kiev.ua

UK United Kingdom

OKW Enclosures Ltd.
15 Brunel Way
Segensworth East
Fareham, PO15 5TX
Tel. (0 14 89) 58 38 58
Fax (0 14 89) 58 38 36
E-Mail sales@okw.co.uk
Web www.okw.co.uk

U.S.A. United States of America

OKW Enclosures Inc.
Abele Business Park # 203
300 Old Pond Road
Bridgeville PA 15017
Tel. (800) 9 65 98 72
Fax (412) 2 20 92 47
E-Mail sales@okwenclosures.com
Web www.okwenclosures.com

ZA South Africa

Avnet Kopp (Pty) Ltd.
P.O. Box 3853
Rivonia 2128
Tel. (0) 11 8 09 61 00
Fax (0) 11 4 44 17 06
E-Mail sales@avnet.co.za
Web www.avnet.co.za

MANUFACTURER

Odenwälder Kunststoffwerke
Gehäuseysteme GmbH
Friedrich-List-Str. 3
Im Industriegebiet III
74722 Buchen/Germany
www.okw.com

Sales Germany

Telerex Europe GmbH
Tel. (0 62 81) 4 04 00
Fax (0 62 81) 4 04 1 44
E-Mail InfoOG@okw.com

Sales Export

Telerex Europe GmbH
Tel. (0 62 81) 4 04 1 65
Fax (0 62 81) 4 04 1 23
E-Mail DittmannD@okw.com