

THE PRODUCT

The fast and simple locking capability onto standardised rails complying with DIN EN 60 715 TH35 characterises the RAILTEC B family of cases.

Different top parts make the case into a versatile and rational connection system.

When using terminals, the individual conductors can be connected and disconnected while the case is closed.

The connector lead avoids wiring faults when devices are exchanged during regular servicing.

YOUR ADVANTAGE

6 sizes following DIN 43 880, unit 1.

Different termination options each for commercial components like

- terminals
- PCB plug headers
- front connectors

Optionally 1 or 2 connection levels for case version VI; individual configuration with system components – according to need. Terminal guards in the higher versions give more room in the enclosures and a bigger surface to mill for bigger terminals.

Without/with ventilation slots for good heat removal.

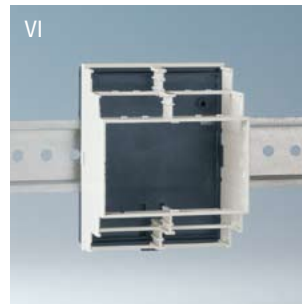
Flexible assembly. PCB positioning in all 3 directions: Base part with fixing pillars, top parts with guiding ridges.

Transparent lid protects display and operation elements.

Locking clip preassembled in base part.

APPLICATIONS

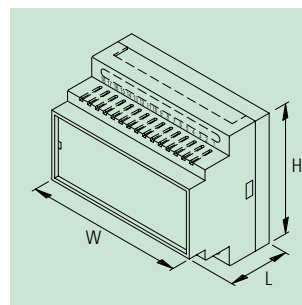
Universal use as installation case. Fully insulated and protected according to VBG4 as well as IEC 529/ DIN VDE 0470-1. Corresponding to the regulations of the machine-building and motorcar industry. Especially for the control techniques.



Two coloured

Top
(terminal guards & partition
plate of case version VI)
Light grey, RAL 7035

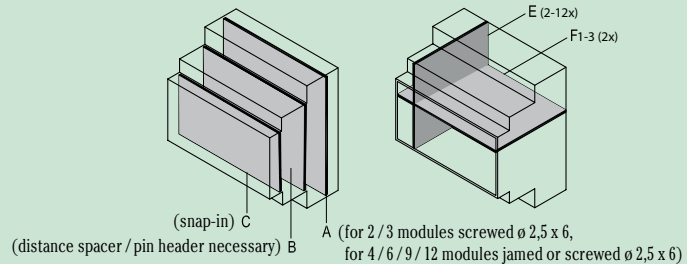
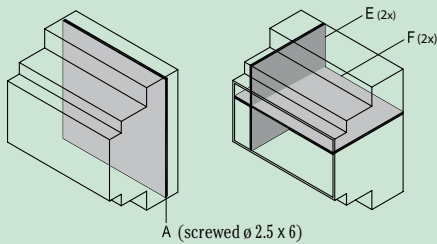
Base, clip
Black, RAL 9005



ENCLOSURES*1

RAILTEC B	Outside dim. in mm			Version / Equipment		without ventilation slots	with ventilation slots
	W	H	L	termination options			
2 modules	35	86	58	I	terminal blocks 5.0/5.08 (10 terminals max.)	B 65 01 111	B 65 01 114
	35	86	58	II	plug header 5.0/5.08 (2 x 5 poles)	B 65 01 112	B 65 01 115
	35	86	58	III	closed case, e.g. for front connectors, SUB-D-connectors, etc.	B 65 01 113	B 65 01 116
	35	86	58	IV	terminal blocks 5.0/5.08 (5 terminals max., at the bottom only)	B 65 01 117	B 65 01 118
	35	86	58	V	perforation*2 for max. 10 terminal blocks or 2 plug headers 5 poles	B 65 01 110	B 65 01 119
	35	90	58	VI	individual configuration see accessories (terminal guards / partition plate)	B 65 01 121	
3 modules	52	90	58	VI	individual configuration see accessories (terminal guards / partition plate)	B 65 02 121	
4 modules	70	86	58	I	terminal blocks 5.0/5.08 (24 terminals max.)	B 65 03 111	B 65 03 114
	70	86	58	II	plug header 5.0/5.08 (2 x 12 poles)	B 65 03 112	B 65 03 115
	70	86	58	III	closed case, e.g. for front connectors, SUB-D-connectors, etc.	B 65 03 113	B 65 03 116
	70	86	58	IV	terminal blocks 5.0/5.08 (12 terminals max., at the bottom only)	B 65 03 117	B 65 03 118
	70	86	58	V	perforation*2 for max. 24 terminal blocks or 2 plug headers 12 poles	B 65 03 110	B 65 03 119
	70	90	58	VI	individual configuration see accessories (terminal guards / partition plate)	B 65 03 121	
6 modules	105	86	58.5	I	terminal blocks 5.0/5.08 (36 terminals max.)	B 65 04 111	B 65 04 114
	105	86	58.5	II	plug header 5.0/5.08 (2 x 18 poles)	B 65 04 112	B 65 04 115
	105	86	58.5	III	closed case, e.g. for front connectors, SUB-D-connectors, etc.	B 65 04 113	B 65 04 116
	105	86	58.5	IV	terminal blocks 5.0/5.08 (18 terminals max., at the bottom only)	B 65 04 117	B 65 04 118
	105	86	58.5	V	perforation*2 for max. 36 terminal blocks or 2 plug headers 18 poles	B 65 04 110	B 65 04 119
	105	90	58	VI	individual configuration see accessories (terminal guards / partition plate)	B 65 04 121	
9 modules	157	86	58.5	I	terminal blocks 5.0/5.08 (52 terminals max.)	B 65 05 111	B 65 05 114
	157	86	58.5	II	plug header 5.0/5.08 (4 x 13 poles)	B 65 05 112	B 65 05 115
	157	86	58.5	III	closed case, e.g. for front connectors, SUB-D-connectors, etc.	B 65 05 113	B 65 05 116
	157	86	58.5	IV	terminal blocks 5.0/5.08 (26 terminals max., at the bottom only)	B 65 05 117	B 65 05 118
	157	86	58.5	V	perforation*2 for max. 52 terminal blocks or 4 plug headers 13 poles	B 65 05 110	B 65 05 119
	157	90	58	VI	individual configuration see accessories (terminal guards / partition plate)	B 65 05 121	
12 modules	210	90	58	I	terminal block 5.0/5.08 (64 terminals max.)	B 65 06 111	B 65 06 114
	210	90	58	II	plug header 5.0/5.08 (4 x 8 poles and 4 x 7 poles)	B 65 06 112	B 65 06 115
	210	90	58	III	closed case, e.g. for front connectors, SUB-D-connectors, etc.	B 65 06 113	B 65 06 116
	210	90	58	IV	terminal blocks 5.0/5.08 (32 terminals max., at the bottom only)	B 65 06 117	B 65 06 118
	210	90	58	V	perforation*2 for max. 64 terminal blocks or plug headers 4 x 8 poles and 4 x 7 poles	B 65 06 110	B 65 06 119
	210	90	58	VI	individual configuration see accessories (terminal guards / partition plate)	B 65 06 121	

MAX. SIZE OF PCB



For enclosure RAILTEC B	Versions I - V (each 1.6 mm thick)			Version VI (each 1.6 mm thick)			C	E*3	F1*4	F2*4	F3*4
	A	E*3	F	A*3	B*3						
2 modules	29.4 x 82	41.5 x 56.6	41.5 x 31	29.4 x 82	31.5 x 62.2	31.4 x 41.7	62.5 x 40.4	32.5 x 40.5	32.5 x 35.5	32.5 x 18	
3 modules	—	—	—	46.7 x 82	49 x 62.2	48.8 x 41.7	62.5 x 40.4	50 x 40.5	50 x 35.5	50 x 18	
4 modules	64 x 82	41.5 x 56.6	41.5 x 66.5	64 x 82	66.5 x 62.2	66.3 x 41.7	62.5 x 40.4	67.5 x 40.5	67.5 x 35.5	67.5 x 18	
6 modules	99.2 x 82.4	41.5 x 56.6	41.5 x 101	99.2 x 82.4	101.5 x 62.2	101.3 x 41.7	62.5 x 40.4	102.5 x 40.5	102.5 x 35.5	102.5 x 18	
9 modules	151.2 x 82.4	41.5 x 56.6	41.5 x 153	151.2 x 82.4	154 x 62.2	153.8 x 41.7	62.5 x 40.4	155 x 40.5	155 x 35.5	155 x 18	
12 modules	204.2 x 82	41.5 x 56.6	41.5 x 207.5	204.2 x 82	206.5 x 62.2	206.3 x 41.7	62.5 x 40.4	207.5 x 40.5	207.5 x 35.5	207.5 x 18	

*1 material: base parts PPO (UL 94 V-0), top parts PC (UL 94 V-0)

*2 block 5.0; the perforations can be separated quickly and easily

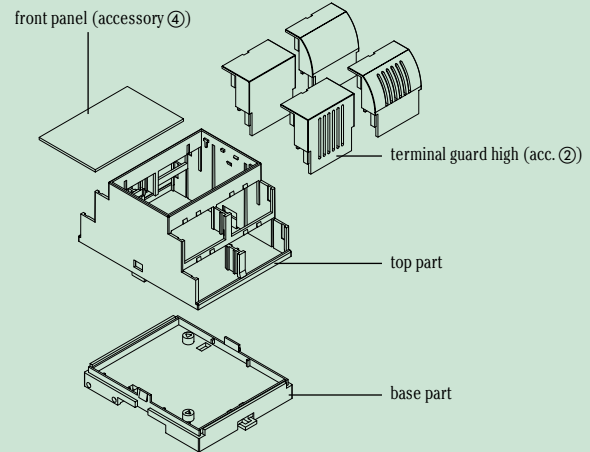
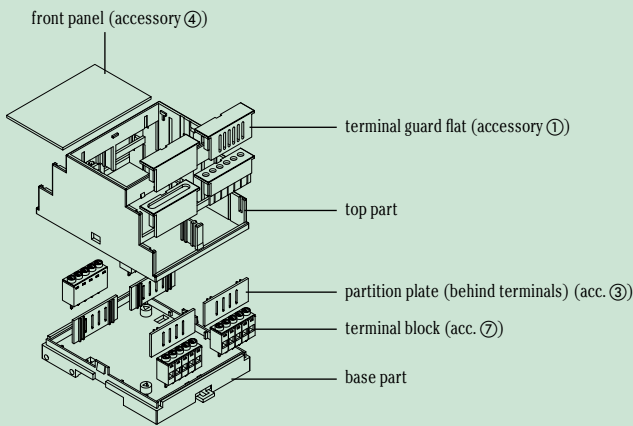
*3 cutouts not taken into consideration

*4 max. size of PCB

F1: without PCBs B and C; F2: without PCB B, with PCB C; F3: with PCBs B and C

NEW PRODUCT

INDIVIDUAL CONFIGURATION VERSION VI



Make up your own individual RAILTEC B version VI online (www.okw.com).
Simply click on the desired case module and select the necessary articles using the configurator (eDrawing).

ACCESSORIES

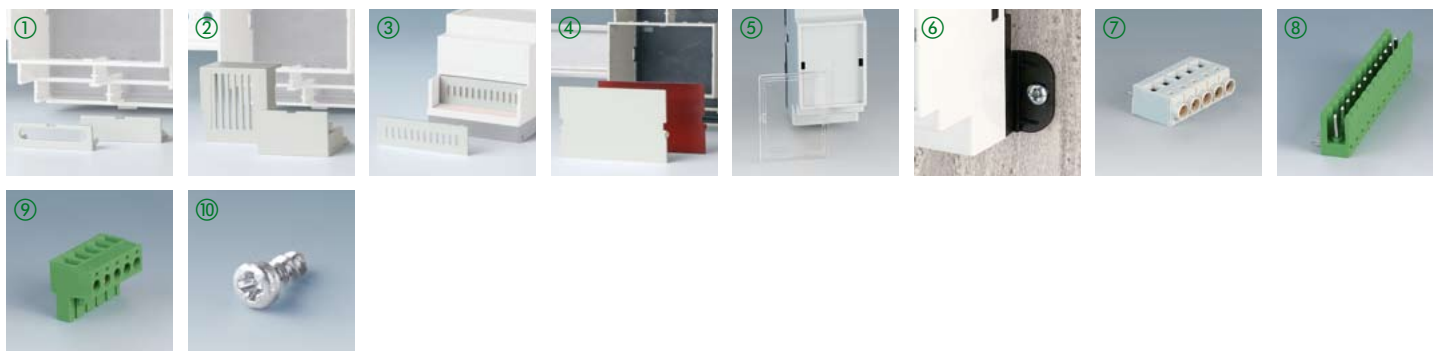
Part-No.	Article	Type	For enclosure	Version / Equipment	
			RAILTEC B (version VI)	Pole (max.)	
B 66 07 140	① Terminal guards flat max. number each case: 4 pcs – 2 / 3 modules 8 pcs – 4 / 6 modules 12 pcs – 9 modules 16 pcs – 12 modules	closed	2 / 4 modules (VI)	–	PC (UL 94 V-0), light grey, 1 pc
B 66 08 140			3 / 6 / 9 / 12 modules (VI)	–	PC (UL 94 V-0), light grey, 1 pc
B 66 07 141		with ventilation slots	2 / 4 modules (VI)	–	PC (UL 94 V-0), light grey, 1 pc
B 66 08 141			3 / 6 / 9 / 12 modules (VI)	–	PC (UL 94 V-0), light grey, 1 pc
B 66 07 142		for terminal blocks, block 5.0	2 / 4 modules (VI)	6	PC (UL 94 V-0), light grey, 1 pc
B 66 08 142			3 / 6 / 9 / 12 modules (VI)	9	PC (UL 94 V-0), light grey, 1 pc
B 66 07 143	perforated, block 5.0	2 / 4 modules (VI)	6	PC (UL 94 V-0), light grey, 1 pc	
B 66 08 143		3 / 6 / 9 / 12 modules (VI)	9	PC (UL 94 V-0), light grey, 1 pc	
B 66 07 160	② Terminal guards high max. number each case: 2 pcs – 2 / 3 modules 4 pcs – 4 / 6 modules 6 pcs – 9 modules 8 pcs – 12 modules	closed	2 / 4 modules (VI)	–	PC (UL 94 V-0), light grey, 1 pc
B 66 08 160			3 / 6 / 9 / 12 modules (VI)	–	PC (UL 94 V-0), light grey, 1 pc
B 66 07 161		with ventilation slots	2 / 4 modules (VI)	–	PC (UL 94 V-0), light grey, 1 pc
B 66 08 161			3 / 6 / 9 / 12 modules (VI)	–	PC (UL 94 V-0), light grey, 1 pc
B 66 07 162		convex, closed	2 / 4 modules (VI)	–	PC (UL 94 V-0), light grey, 1 pc
B 66 08 162			3 / 6 / 9 / 12 modules (VI)	–	PC (UL 94 V-0), light grey, 1 pc
B 66 07 163	convex, with ventilation slots	2 / 4 modules (VI)	–	PC (UL 94 V-0), light grey, 1 pc	
B 66 08 163		3 / 6 / 9 / 12 modules (VI)	–	PC (UL 94 V-0), light grey, 1 pc	
B 66 07 191	③ Partition plate max. number each case: 2 pcs – 2 / 3 modules; 4 pcs – 4 / 6 modules; 6 pcs – 9 mod.; 8 pcs – 12 mod.	with ventilation slots	2 / 4 modules (VI)	PC (UL 94 V-0), light grey, 1 pc	
B 66 08 191			3 / 6 / 9 / 12 modules (VI)	separates the electronic and terminal area when used without terminal guard (undermost level), connections externally accessible	

Version (PC UL 94 V-0)			Article	For enclosure RAILTEC B (version VI)	Dim. in mm
light grey	red transparent	smoked glass			
B 66 01 180	B 66 01 480	B 66 01 580	④ Front panel	2 modules (VI)	42 x 32
B 66 02 180	B 66 02 480	B 66 02 580		3 modules (VI)	42 x 49
B 66 03 180	B 66 03 480	B 66 03 580		4 modules (VI)	42 x 67
B 66 04 180	B 66 04 480	B 66 04 580		6 modules (VI)	42 x 102
B 66 05 180	B 66 05 480	B 66 05 580		9 modules (VI)	42 x 154
B 66 06 180	B 66 06 480	B 66 06 580		12 modules (VI)	42 x 206

Part-No.	Article	For enclosure RAILTEC B	Version
B 66 01 100	⑤ Lid	2 modules	PC (UL 94 V-0), transparent, 1 pc
B 66 02 100		3 modules	PC (UL 94 V-0), transparent, 1 pc
B 66 03 100		4 modules	PC (UL 94 V-0), transparent, 1 pc
B 66 04 100		6 modules	PC (UL 94 V-0), transparent, 1 pc
B 66 05 100		9 modules	PC (UL 94 V-0), transparent, 1 pc
B 66 06 100		12 modules	PC (UL 94 V-0), transparent, 1 pc
B 66 00 334	⑥ Wall suspension element	for all case sizes	plastic, black, set with 2 pcs

ACCESSORIES

Article	Version / Application		Material	Part-No.	
	poles	max. cable \varnothing			
⑦ Terminal block, block 5.0	5	2.5 mm ²	PA 68 (UL 94 V-0)	B 66 01 111	
	6	2.5 mm ²	PA 68 (UL 94 V-0)	B 66 07 111	
	9	2.5 mm ²	PA 68 (UL 94 V-0)	B 66 08 111	
	12	2.5 mm ²	PA 68 (UL 94 V-0)	B 66 03 111	
	13	2.5 mm ²	PA 68 (UL 94 V-0)	B 66 05 111	
	16	2.5 mm ²	PA 68 (UL 94 V-0)	B 66 06 111	
	18	2.5 mm ²	PA 68 (UL 94 V-0)	B 66 04 111	
	36	2.5 mm ²	PA 68 (UL 94 V-0)	B 66 00 111	
	⑧ Plug header "PCB", block 5.08	2	2.5 mm ²	PA 68 (UL 94 V-0)	B 66 06 222
		3	2.5 mm ²	PA 68 (UL 94 V-0)	B 66 00 222
5		2.5 mm ²	PA 68 (UL 94 V-0)	B 66 01 222	
6		2.5 mm ²	PA 68 (UL 94 V-0)	B 66 08 222	
9		2.5 mm ²	PA 68 (UL 94 V-0)	B 66 02 222	
12		2.5 mm ²	PA 68 (UL 94 V-0)	B 66 03 222	
13		2.5 mm ²	PA 68 (UL 94 V-0)	B 66 05 222	
15		2.5 mm ²	PA 68 (UL 94 V-0)	B 66 07 222	
18		2.5 mm ²	PA 68 (UL 94 V-0)	B 66 04 222	
⑨ Plug header "plug", block 5.08		2	2.5 mm ²	PA 68 (UL 94 V-0)	B 66 06 223
	3	2.5 mm ²	PA 68 (UL 94 V-0)	B 66 00 223	
	5	2.5 mm ²	PA 68 (UL 94 V-0)	B 66 01 223	
	6	2.5 mm ²	PA 68 (UL 94 V-0)	B 66 08 223	
	9	2.5 mm ²	PA 68 (UL 94 V-0)	B 66 02 223	
	12	2.5 mm ²	PA 68 (UL 94 V-0)	B 66 03 223	
	13	2.5 mm ²	PA 68 (UL 94 V-0)	B 66 05 223	
	15	2.5 mm ²	PA 68 (UL 94 V-0)	B 66 07 223	
	18	2.5 mm ²	PA 68 (UL 94 V-0)	B 66 04 223	
	⑩ Self-tapping screw	1 x \varnothing 2.5 x6 mm, for mounting PCB in the base part (position "A")			A 03 05 031



NEW PRODUCT