



THE PRODUCT

The new MINITEC cases convince their users thanks to their mini-dimensions and maxi-benefits.

Whether round your neck or round your wrist, MINITEC cases are your loyal companions and are always within easy reach. They are so small and light that they also fit into any trouser pocket.

Whether with orange, green, blue or volcano-colored intermediate rings or one colored, these MINITEC cases are the right enclosures for today's personal electronics.

Different versions offer the required flexibility for applications in everyday situations.

YOUR ADVANTAGE

Modern, flat styling.

Easy to wear, e.g. round your neck, or as a bracelet with wrist strap, or on a key ring. Strap loops and eyelets are already integrated.

TPE ring for a pleasant touch sensation and as impact protection.

Variety of colors.

Also available in infra-red light-permeable material.

Recessed operating area for the protection of the membrane keyboard.

Fixing supports for PCBs and integrated parts in the bottom part of the case.

APPLICATIONS

Many different types of remote control systems.

Specially made for clinic and social fields as well as in the household and in industry, e.g. emergency systems, monitoring and alarm equipment, radio remote control etc.

PROTECTION CLASS IP 41

Types E (size M) and D (sizes S and M) with intermediate ring in TPE.

MAX. SIZE OF PCB

MINITEC	bottom part (L x W in inches)		
	S	M	L
E	1.417 x 0.945	2.008 x 1.339	2.087 x 1.575
D	1.378 x 1.063	2.008 x 1.496	2.244 x 1.772

(cutouts of pillars not taken into consideration)

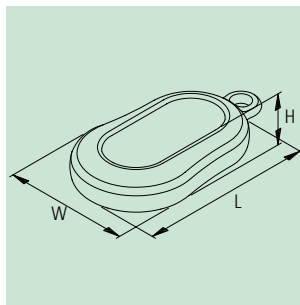


Bottom part / top part

- Off-white, RAL 9002
- Lava, NCS S 7502-B
- Black, RAL 9005

Intermediate rings

- Off-white, RAL 9002
- Lava, NCS S 7502-B
- Black, RAL 9005
- Volcano, NCS S 5502-G
- Orange, NCS S 1070-Y40R
- Green, NCS S 1070-G60Y
- Blue, NCS S 1060-B



MINITEC E

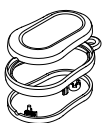
Article*1	Size	Outside dim. in inches			Equipment (dim. in inches) max. dim. keypad	Part-No.			
		L	W	H		ABS (UL 94 HB) off-white	lava	PMMA*2 black	
① Bottom and top part E 	S	2.047	1.260	0.591	1.374 x 0.781	B 90 02 807	B 90 02 808	B 90 02 806	
		2.047	1.260	0.591	without recess	B 90 02 857	B 90 02 858	B 90 02 856	
	M	2.677	1.654	0.709	1.772 x 1.096	B 90 04 807	B 90 04 808	B 90 04 806	
		2.677	1.654	0.709	without recess	B 90 04 857	B 90 04 858	B 90 04 856	
	L	3.071	1.890	0.787	2.031 x 1.258	B 90 06 807	B 90 06 808	B 90 06 806	
		3.071	1.890	0.787	without recess	B 90 06 857	B 90 06 858	B 90 06 856	
	Material	Color		S	M	L	S	M	L
② Intermediate ring E	TPE	lava	B 90 02 702	B 90 04 702	B 90 06 702	B 90 02 752	B 90 04 752	B 90 06 752	
	TPE	orange	B 90 02 703	B 90 04 703	B 90 06 703	B 90 02 753	B 90 04 753	B 90 06 753	
	TPE	green	B 90 02 704	B 90 04 704	B 90 06 704	B 90 02 754	B 90 04 754	B 90 06 754	
	TPE	blue	B 90 02 705	B 90 04 705	B 90 06 705	B 90 02 755	B 90 04 755	B 90 06 755	
	PMMA*2	black	B 90 02 706	B 90 04 706	B 90 06 706	B 90 02 756	B 90 04 756	B 90 06 756	
	TPE	off-white	B 90 02 707	B 90 04 707	B 90 06 707	B 90 02 757	B 90 04 757	B 90 06 757	
	TPE	volcano	B 90 02 708	B 90 04 708	B 90 06 708	B 90 02 758	B 90 04 758	B 90 06 758	
	ABS	black	B 90 02 709	B 90 04 709	B 90 06 709	B 90 02 759	B 90 04 759	B 90 06 759	

MINITEC D

Article*1	Size	Outside dim. in inches			Equipment (dim. in inches) max. dim. keypad	Part-No.			
		L	W	H		ABS (UL 94 HB) off-white	lava	PMMA*2 black	
③ Bottom and top part D 	S	2.008	1.260	0.512	1.520 x 0.715	B 90 02 907	B 90 02 908	B 90 02 906	
	M	2.756	1.732	0.630	2.069 x 0.933	B 90 04 907	B 90 04 908	B 90 04 906	
	L	3.307	2.087	0.748	2.518 x 1.185	B 90 06 907	B 90 06 908	B 90 06 906	
	Material	Color		S	M	L	S	M	L
④ Intermediate ring D	TPE	lava	B 90 02 302	B 90 04 302	B 90 06 302	B 90 02 352	–	–	
	TPE	orange	B 90 02 303	B 90 04 303	B 90 06 303	B 90 02 353	–	–	
	TPE	green	B 90 02 304	B 90 04 304	B 90 06 304	B 90 02 354	–	–	
	TPE	blue	B 90 02 305	B 90 04 305	B 90 06 305	B 90 02 355	–	–	
	PMMA*2	black	B 90 02 306	B 90 04 306	B 90 06 306	B 90 02 356	–	–	
	TPE	off-white	B 90 02 307	B 90 04 307	B 90 06 307	B 90 02 357	–	–	
	TPE	volcano	B 90 02 308	B 90 04 308	B 90 06 308	B 90 02 358	–	–	
	ABS	black	B 90 02 309	B 90 04 309	B 90 06 309	B 90 02 359	–	–	

ACCESSORIES

Article	For enclosure MINITEC	Version / Application	Part-No.
⑤ Key ring	E / D	nickel-plated, \varnothing 0.807"	A 91 64 001
⑥ Carrying strap "Reflex"	E / D	silver/black with quick-action lock, approx. 33.858" long	B 91 00 022
⑦ Hand strap "Woven"	E / D	grey, with quick-action lock, approx. 7.874" long	B 91 00 044
⑧ Wrist strap	E (2 strap loops)	black, elastic belt with velcro, approx. 11.024" long	B 91 00 033



*1 To achieve one MINITEC, please order:
1 bottom and top part
1 intermediate ring
(assembly kit supplied with case)

*2 cases made of PMMA (plexiglass®) not comparable to cases made of ABS in terms of mechanical load-bearing capacity

NEW PRODUCT