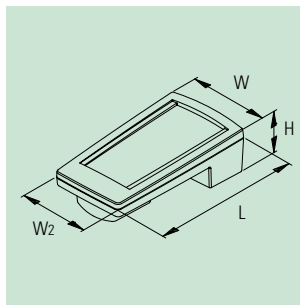




Off-white, RAL 9002
 Black, RAL 9005



THE PRODUCT

The HAND-TERMINAL is predestined for electronic components that require a robust hand-held enclosure.

Technical refinements in the design of the unit guarantee pleasant day-to-day work but also allow a firm grip whenever necessary.

A front panel version is available for the installation of complete prefabricated electronics units.

YOUR ADVANTAGE

Robust enclosures made of impact resistant material.

Plenty of space for operating elements, displays and electronics.

Large, recessed area on the front side for the installation and protection of interfaces, screwed cable glands, plug-in connections etc.

Suitable for emergency stop switches and enable pushbuttons.

Ergonomic design of the bottom part for a firm, secure grip and fatigue-free working.

Available with or without battery operation.

Optimum weight distribution.

APPLICATIONS

For flexible machine control systems in production and assembly.

Terminals for teach-in applications.

For classical applications in the fields of electrical engineering and electronics, e.g. measurement and control engineering etc.

PROTECTION CLASS IP 65

In conjunction with the sealing kits available as accessories (case, front panel).

MAX. SIZE OF PCB

HAND-TERMINAL	L x W/W ₂ in inches bottom or top part
M	8.110 x 4.173/3.661

(PCB either in the top or in the bottom part, cutouts for pillars not taken into consideration)

ENCLOSURES

HAND-TERMINAL	Outside dim. in inches			top part	Version / Equipment	Material bottom and top part	Part-No.	
	L	W	H				off-white	black
M	8.661	4.724	2.559	I	closed	Blend ABS/PC (UL 94 V-0)	A 90 46 107	A 90 46 109
	8.661	4.724	2.559	II	open* ¹		Blend ABS/PC (UL 94 V-0)	A 90 46 207

ACCESSORIES

Article	For enclosure HAND-TERMINAL	Version / Application	Part-No.		
① Front panel	M	matt anodized Al, 0.079" thick, for case version II, 1 front panel	A 91 46 101		
② Sealing kit	M	for the case, for sealing up to IP 65	A 91 46 106		
③ Sealing	M	for the front panel, for sealing up to IP 65	A 91 46 206		
④ Plug-in contact	M	for 1 x 9 V flat battery	A 91 60 003		
⑤ Battery spacer	M	PE foam with one-side adhesive coating, to secure all battery types	A 92 50 250		
			for 4 x 1.5 V (AA)	for 1 x 9 V	for 2 x 9 V
⑥ Set of battery compartment	M	ABS, off-white, battery clips nickel-plated* ²	A 93 45 217	–	–
⑦ Battery compartment	M	ABS, off-white	–	A 91 74 003	A 91 74 002
⑧ Set of battery clips	M	tin-plated	–	A 91 74 006	A 91 61 002



*¹ with frame cover for inserting an aluminum front panel (accessory), visible cutout for the front panel corresponds to recessed operating area of membrane keyboard, front panel installation from the rear, the assembly kit is supplied with the enclosure

*² complies with DIN EN 60601 (short circuit caused by incorrect insertion of batteries impossible)

NEW PRODUCT