

PLUG CASES RELIABLE CONTACT

OKW

THE PRODUCT

A practical range of PLUG CASES for many applications:

- country-specific,
- conforming to standard,
- flame-resistant,
- robust and impact-resistant.

Simply an extremely functional solution for your electronics.

YOUR ADVANTAGE

Live parts in flame-resistant material ABS-PC according to UL 94 V-0. Remaining parts are made of flame-resistant ABS according to UL 94 V-0.

Robust and impact-resistant. The ball-thrust hardness test is performed at 125°C.

Fastening pillars for the PCB mounting, suitable for self-tapping screws (set with 4 pieces supplied with the case).

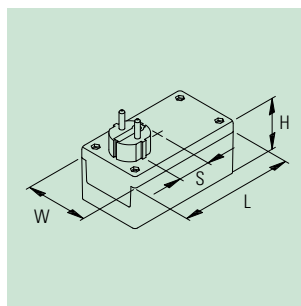
APPLICATIONS

Plug cases with direct mains supply. For transforming voltage or for controlling the current supply of other devices, e.g. control circuits, switches, etc.

PROTECTION CLASS < IP 40

MAX. SIZE OF PCB

PLUG CASE	L x W in inches				top part
	base part				
D	3.780 x 2.283				—
UK	3.780 x 2.283				—
F/D	2.992 x 1.713				—
	3.780 x 2.283				3.740 x 2.303



Two colored

Top part

■ Off-white, RAL 9002

Base part

■ Pebble gray, RAL 7032

ENCLOSURES

PLUG-CASE	Outside dim. in inches				Plug section acc. to	Version / Equipment		Part-No.
	L	W	H	S		integrated socket		
D	4.724	2.559	2.165	1.339	II	DIN 49 441 R2	DIN 49 440	A 90 22 465
UK	4.724	2.559	1.575	1.063	I	BS 1363	—	A 90 20 165
F/D	3.937	1.969	1.575	0.984	I	DIN 49 441 R2	—	A 90 11 665
	4.724	2.559	2.559	1.339	I	DIN 49 441 R2	—	A 90 21 665