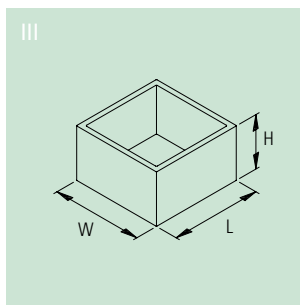
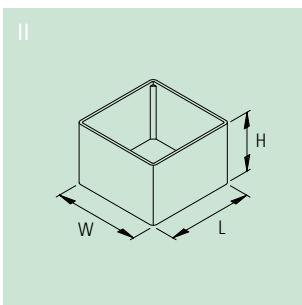
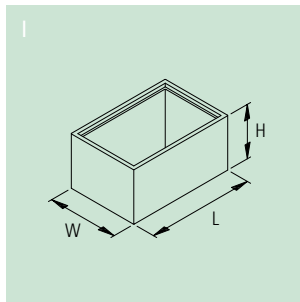




Black



THE PRODUCT

The comprehensive range of boxes for potting electronic assemblies. With special cost advantages for series-type production.

Potted assemblies are protected from shock as well as temperature, dampness and chemical influences. The versions made of Duroplast are not highly resistant to fracture.

YOUR ADVANTAGE

Duroplast

Resistant to deformation and extreme temperatures.

Polyamide 6.6

Good value for money. High-impact.

ABS

Good value for money. Preferably for potting small assemblies.

APPLICATIONS

For protecting and potting electronic assemblies.

POTTING BOXES



ENCLOSURES*1

POTTING BOXES	Outside dim. in inches			Wall-thickness in inches	Version	Part-No.		
	L	W	H			case	lid	
Duroplast	0.787	0.787	0.516	0.033	I	A 80 20 130	–	
	0.984	0.984	0.583	0.031	I	A 80 25 150	–	
	0.984	0.984	0.984	0.031	I	A 80 25 251	–	
	1.189	0.793	0.594	0.037	I	A 80 30 150	A 81 30 200	
	1.594	0.543	0.634	0.043	I	A 80 40 160	A 81 40 130	
	1.583	0.533	0.984	0.033	I	A 80 40 250	A 81 40 130	
	1.575	1.575	0.504	0.039	I	A 80 40 130	A 81 40 400	
	1.583	1.583	0.787	0.039	I	A 80 40 200	A 81 40 400	
	1.776	1.185	0.591	0.045	I	A 80 45 150	A 81 45 300	
	1.776	1.181	0.980	0.043	I	A 80 45 250	A 81 45 300	
	1.965	0.516	0.591	0.039	I	A 80 50 150	–	
	1.974	1.974	0.594	0.051	I	A 80 50 160	A 81 50 500	
	1.972	1.972	0.988	0.051	I	A 80 50 250	A 81 50 500	
	1.996	1.996	1.957	0.067	I	A 80 50 500	A 81 50 500	
	2.756	1.984	0.787	0.055	I	A 80 70 200	A 81 70 500	
	2.780	1.984	1.378	0.055	I	A 80 70 350	A 81 70 500	
	3.555	2.374	0.787	0.063	I	A 80 90 200	–	
	3.941	1.976	0.976	0.059	I	A 80 10 250	–	
	3.937	3.937	1.575	0.071	I	A 80 10 400	–	
							case	
	PA 6.6	0.551	0.551	0.453	0.028	II	A 80 14 118	
		0.685	0.591	0.413	0.028	III	A 80 17 108	
		0.685	0.591	0.602	0.024	II	A 80 17 158	
0.732		0.732	0.539	0.024	III	A 80 18 138		
0.819		0.819	0.496	0.031	III	A 80 20 128		
0.839		0.524	0.697	0.035	III	A 80 21 178		
0.882		0.882	0.551	0.031	III	A 80 22 148		
1.039		1.039	1.386	0.043	III	A 80 26 358		
1.142		1.142	0.756	0.039	III	A 80 29 198		
1.193		1.193	1.980	0.059	III	A 80 30 508		
1.276		1.276	0.787	0.039	III	A 80 32 208		
1.528		1.528	1.047	0.047	II	A 80 39 268		
1.531		1.531	1.528	0.047	II	A 80 39 398		
1.575		0.394	0.795	0.039	II	A 80 40 208		
1.819		1.819	1.606	0.043	III	A 80 46 408		
ABS		0.484	0.484	0.602	0.039	III	A 80 12 159	
		0.835	0.835	0.476	0.039	III	A 80 21 129	
	0.996	0.996	0.598	0.039	III	A 80 25 159		
	1.508	0.803	0.795	0.039	III	A 80 38 209		
	1.791	1.201	0.618	0.047	III	A 80 45 169		
	2.657	1.409	1.823	0.067	III	A 80 67 469		

*1 cases supplied bulk packed