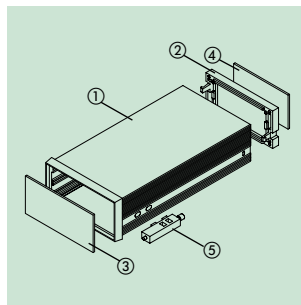
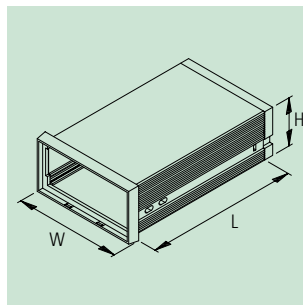
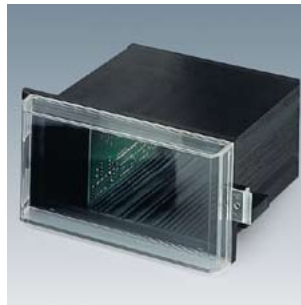




Black



THE PRODUCT

The DIN-MODULAR CASES TYPE A differ from conventional systems for mounting control panels complying with DIN IEC 61 554 through simple, screwless assembly of all case parts.

This reduces production work and expenditure to a minimum. A further advantage of this design principle is the implementation of flexible case lengths to match the application exactly.

YOUR ADVANTAGE

Material corresponds to UL 94 V-0: self-extinguishing and shock resistant. High standard of mechanical and electrical properties.

7 different standard dimensions and variable case depths.

Fixing of the PCBs by the rear frame.

Front and rear panel for snapping-in.

Fastening elements for the mounting of control panels are delivered together with the case.

Special length possible, on request, between minimum and maximum standard case length.

Transparent cover (available as accessory) protects displays and operating elements.

APPLICATIONS

Case system for a multitude of applications. Especially suitable for measuring, control technology and remote controls.

PROTECTION CLASS < IP 40

DESIGN TYPE A

- ① Case
- ② Frame (rear) with snap-lock mechanism
- ③ Front panel (accessory)
- ④ Rear panel (accessory)
- ⑤ Fastening element

DIN-MODULAR CASES TYPE A

acc. to DIN IEC 61 554



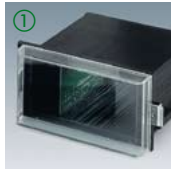
ENCLOSURES

TYPE A	Standard dim. in inches			Version / Equipment		Material		Part-No.
	W	H	L	guide ridges on ...	case	frame (rear)		
72 x 36 mm	2.835	1.417	2.244	—	2 sides, 2 guides each	Noryl (UL 94 V-0)	(UL 94 V-0)	B 60 21 011
	2.835	1.417	2.953	—	2 sides, 2 guides each	Noryl (UL 94 V-0)	(UL 94 V-0)	B 60 21 021
	2.835	1.417	3.937	—	2 sides, 2 guides each	Noryl (UL 94 V-0)	(UL 94 V-0)	B 60 21 031
48 x 48 mm	1.890	1.890	2.244	—	2 sides, 3 guides each	Noryl (UL 94 V-0)	(UL 94 V-0)	B 60 12 011
	1.890	1.890	2.953	—	2 sides, 3 guides each	Noryl (UL 94 V-0)	(UL 94 V-0)	B 60 12 021
	1.890	1.890	3.937	—	2 sides, 3 guides each	Noryl (UL 94 V-0)	(UL 94 V-0)	B 60 12 031
	1.890	1.890	4.488	—	2 sides, 3 guides each	Noryl (UL 94 V-0)	(UL 94 V-0)	B 60 12 051
	1.890	1.890	4.882	—	2 sides, 3 guides each	Noryl (UL 94 V-0)	(UL 94 V-0)	B 60 12 061
96 x 48 mm	3.780	1.890	2.244	I	2 sides, 2 guides each	Noryl (UL 94 V-0)	(UL 94 V-0)	B 60 32 011
	3.780	1.890	2.953	I	2 sides, 2 guides each	Noryl (UL 94 V-0)	(UL 94 V-0)	B 60 32 021
	3.780	1.890	3.937	I	2 sides, 2 guides each	Noryl (UL 94 V-0)	(UL 94 V-0)	B 60 32 031
	3.780	1.890	4.291	I	2 sides, 2 guides each	Noryl (UL 94 V-0)	(UL 94 V-0)	B 60 32 041
	3.780	1.890	4.488	I	2 sides, 2 guides each	Noryl (UL 94 V-0)	(UL 94 V-0)	B 60 32 051
	3.780	1.890	4.882	I	2 sides, 2 guides each	Noryl (UL 94 V-0)	(UL 94 V-0)	B 60 32 061
	3.780	1.890	5.157	II	2 sides, 3 guides each	Noryl (UL 94 V-0)	(UL 94 V-0)	B 60 32 072
	3.780	1.890	5.157	II	2 sides, 3 guides each	Noryl (UL 94 V-0)	(UL 94 V-0)	B 60 32 072
72 x 72 mm	2.835	2.835	2.244	—	2 sides, 9 guides each	Noryl (UL 94 V-0)	(UL 94 V-0)	B 60 23 011
	2.835	2.835	2.953	—	2 sides, 9 guides each	Noryl (UL 94 V-0)	(UL 94 V-0)	B 60 23 021
	2.835	2.835	3.937	—	2 sides, 9 guides each	Noryl (UL 94 V-0)	(UL 94 V-0)	B 60 23 031
	2.835	2.835	4.882	—	2 sides, 9 guides each	Noryl (UL 94 V-0)	(UL 94 V-0)	B 60 23 061
96 x 96 mm <small>(does not correspond exactly to DIN IEC 61 554)</small>	3.780	3.780	2.244	I	2 sides, 14 guides each	Noryl (UL 94 V-0)	(UL 94 V-0)	B 60 34 011
	3.780	3.780	2.953	I	2 sides, 14 guides each	Noryl (UL 94 V-0)	(UL 94 V-0)	B 60 34 021
	3.780	3.780	3.937	I	2 sides, 14 guides each	Noryl (UL 94 V-0)	(UL 94 V-0)	B 60 34 031
	3.780	3.780	4.882	II	4 sides, 14 / 6 guides each	Noryl (UL 94 V-0)	(UL 94 V-0)	B 60 34 062
	3.780	3.780	7.047	II	4 sides, 14 / 6 guides each	Noryl (UL 94 V-0)	(UL 94 V-0)	B 60 34 102
144 x 72 mm <small>(does not correspond exactly to DIN IEC 61 554)</small>	5.669	2.835	2.244	—	4 sides, 9 / 18 guides each	Noryl (UL 94 V-0)	(UL 94 V-0)	B 60 43 011
	5.669	2.835	2.953	—	4 sides, 9 / 18 guides each	Noryl (UL 94 V-0)	(UL 94 V-0)	B 60 43 021
	5.669	2.835	3.937	—	4 sides, 9 / 18 guides each	Noryl (UL 94 V-0)	(UL 94 V-0)	B 60 43 031
	5.669	2.835	4.291	—	4 sides, 9 / 18 guides each	Noryl (UL 94 V-0)	(UL 94 V-0)	B 60 43 041
	5.669	2.835	4.882	—	4 sides, 9 / 18 guides each	Noryl (UL 94 V-0)	(UL 94 V-0)	B 60 43 061
	5.669	2.835	5.157	—	4 sides, 9 / 18 guides each	Noryl (UL 94 V-0)	(UL 94 V-0)	B 60 43 071
	5.669	2.835	6.142	—	4 sides, 9 / 18 guides each	Noryl (UL 94 V-0)	(UL 94 V-0)	B 60 43 091
144 x 144 mm <small>(with removable front frame)</small>	5.669	5.669	2.244	—	4 sides, 18 guides each	Noryl (UL 94 V-0)	(UL 94 V-0)	B 60 45 011
	5.669	5.669	2.953	—	4 sides, 18 guides each	Noryl (UL 94 V-0)	(UL 94 V-0)	B 60 45 021
	5.669	5.669	3.937	—	4 sides, 18 guides each	Noryl (UL 94 V-0)	(UL 94 V-0)	B 60 45 031
	5.669	5.669	4.488	—	4 sides, 18 guides each	Noryl (UL 94 V-0)	(UL 94 V-0)	B 60 45 051

ACCESSORIES*1

		Front panel			Rear panel		For enclosure
Matt anodized al	Noryl V-0 black	Plexiglass transp.	Plexiglass red transp.	PC infra-red perm.	Matt anodized al	Noryl V-0 black	DIN-MODULAR CASE TYPE A
B 61 21 111 2.67 x 1.24 x 0.06	B 61 21 221 2.67 x 1.25 x 0.08	B 61 21 331 2.67 x 1.24 x 0.08	B 61 21 341 2.67 x 1.24 x 0.08	B 61 21 451 2.67 x 1.25 x 0.08	B 61 21 112 2.27 x 1.13 x 0.04	B 61 21 222 2.27 x 1.13 x 0.06	72 x 36 mm < dim. in inches
B 61 12 111 1.72 x 1.72 x 0.06	B 61 12 221 1.72 x 1.72 x 0.08	B 61 12 331 1.72 x 1.72 x 0.08	B 61 12 341 1.72 x 1.72 x 0.08	B 61 12 451 1.72 x 1.72 x 0.08	B 61 12 112 1.66 x 1.17 x 0.04	B 61 12 222 1.67 x 1.17 x 0.07	48 x 48mm < dim. in inches
B 61 32 111 3.60 x 1.71 x 0.06	B 61 32 221 3.61 x 1.71 x 0.08	B 61 32 331 3.60 x 1.71 x 0.08	B 61 32 341 3.60 x 1.71 x 0.08	B 61 32 451 3.61 x 1.71 x 0.08	B 61 32 112 2.89 x 1.56 x 0.04	B 61 32 222 2.90 x 1.56 x 0.07	96 x 48 mm < dim. in inches
B 61 23 111 2.66 x 2.66 x 0.06	B 61 23 221 2.66 x 2.66 x 0.08	B 61 23 331 2.66 x 2.66 x 0.08	B 61 23 341 2.66 x 2.66 x 0.08	B 61 23 451 2.66 x 2.66 x 0.08	B 61 23 112 2.51 x 1.93 x 0.04	B 61 23 222 2.51 x 1.94 x 0.07	72 x 72 mm < dim. in inches
B 61 34 111 3.57 x 3.57 x 0.06	B 61 34 221 3.57 x 3.57 x 0.08	B 61 34 331 3.57 x 3.57 x 0.09	B 61 34 341 3.57 x 3.57 x 0.08	B 61 34 451 3.57 x 3.57 x 0.09	B 61 34 112 3.41 x 2.82 x 0.06	B 61 34 222 3.42 x 2.83 x 0.07	96 x 96 mm < dim. in inches
B 61 43 111 5.48 x 2.65 x 0.06	B 61 43 221 5.48 x 2.66 x 0.08	B 61 43 331 5.48 x 2.65 x 0.08	B 61 43 341 5.48 x 2.65 x 0.08	B 61 43 451 5.48 x 2.65 x 0.08	B 61 43 112 4.68 x 2.47 x 0.06	B 61 43 222 4.69 x 2.47 x 0.08	144 x 72 mm < dim. in inches
B 61 45 111 5.43 x 5.43 x 0.06	—	B 61 45 331 5.48 x 5.43 x 0.12	B 61 45 341 5.43 x 5.43 x 0.12	—	B 61 45 112 5.17 x 4.67 x 0.06	—	144 x 144 mm < dim. in inches

Part-No.	Article	For enclosure DIN-MODULAR CASES TYPE A	Version
B 61 32 533	① Protection cover	96 x 48 mm	Polycarbonate UL 94 V-2, transparent
B 61 23 533		72 x 72 mm	Polycarbonate UL 94 V-2, transparent
B 61 34 533		96 x 96 mm	Polycarbonate UL 94 V-2, transparent
B 61 43 533		144 x 72 mm	Polycarbonate UL 94 V-2, transparent
B 61 45 533		144 x 144 mm	Polycarbonate UL 94 V-2, transparent



*1 supply: 1 pc each (front panel 144 x 144 mm incl. screws)