



## THE PRODUCT

OKW FLAT-PACK CASES represent low-priced housings for your electronics.

The bottom parts are open at the sides and are thus particularly useful for all installation and service work.

Different sizes, heights and versions make functional and practical applications possible.

## YOUR ADVANTAGE

With low and high top part.

Special version with handle bar. For easy carrying or convenient canting when using as a desktop unit.

With ventilation slots for components dissipating high heat (189 L).

With slots on the top part for miniature appliances with sound signal (120 S).

Screwless assembly with separate front panel in aluminum, easy machining. Control elements and lettering are protected through a raised edge on the case (type A).

## APPLICATIONS

Universal case for electronic and electro-technical devices as well as control systems, e.g. for monitoring purposes as check instruments, signalling equipment and control systems.

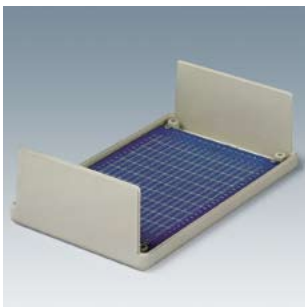
Medical field and laboratory technology.

Computer peripherals, etc.

## PROTECTION CLASS IP 40

FLAT-PACK CASES N/H and FLAT-PACK CASE A with front panel.

FLAT-PACK CASES



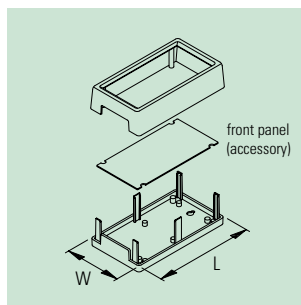
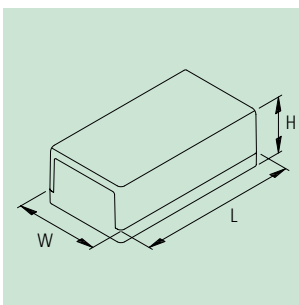
Two colored

Top

Off-white, RAL 9002

Base and handle bar

Pebble gray, RAL 7032

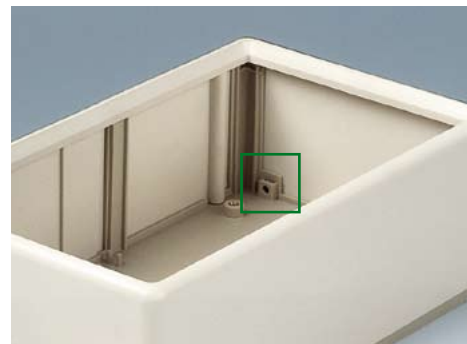
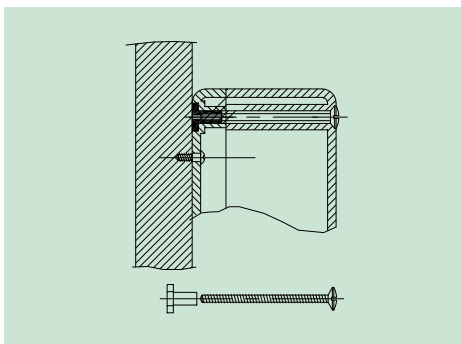


## INFO-BOX

### Wall mounting

**FLAT-PACK CASE N/H** (photo middle): Assembly kit (acc.) for wall mounting permits screw fixing of the case from the front. It is necessary to drill the top cover of the case in order to achieve this. Ask for more details of our service.

**FLAT-PACK CASE A** (photo right): If the case is wall mounted, the frame can be screwed to the base from the side.



## ENCLOSURES

FLAT-PACK CASE	Outside dim. in inches			Version / Equipment (dim. in inches)				Material	Part-No.	
	L	W	H	handle bar	...slots	front panel	max. size of PCB*1			
100 N	3.937	1.969	0.984	I	–	–	–	1.693 x 2.992 / –	ABS (UL 94 HB)	A 90 10 065
100 H	3.937	1.969	1.575	I	–	–	–	1.693 x 2.992 / –	ABS (UL 94 HB)	A 90 11 065
120 N	4.724	2.559	1.575	I	–	–	–	2.283 x 3.780 / –	ABS (UL 94 HB)	A 90 20 065
120 S	4.724	2.559	1.575	–	–	sound	–	2.283 x 3.780 / –	ABS (UL 94 HB)	A 90 20 265
120 A	4.724	2.559	1.575	–	–	–	• (acc.)	2.244 x 4.173 / –	ABS (UL 94 HB)	A 95 20 165
120 H	4.724	2.559	2.559	I	–	–	–	2.283x3.780 / 2.283x3.701	ABS (UL 94 HB)	A 90 21 065
150 N	5.906	3.150	1.969	I	–	–	–	2.874 x 4.961 / –	ABS (UL 94 HB)	A 90 30 065
	5.906	3.150	1.969	II	•	–	–	2.874 x 4.961 / –	ABS (UL 94 HB)	A 90 30 165
	5.906	3.150	2.165	I	–	–	–	2.874 x 4.961 / –	ABS (UL 94 HB)	A 90 32 065
150 H	5.906	3.150	3.150	I	–	–	–	2.874x4.961 / 2.835x5.591	ABS (UL 94 HB)	A 90 31 065
150 A	5.906	3.346	1.772	–	–	–	• (acc.)	2.638 x 5.433 / –	ABS (UL 94 HB)	A 95 30 165
189 N	7.441	4.331	2.362	I	–	–	–	4.055 x 6.299 / –	ABS (UL 94 HB)	A 90 40 065
	7.441	4.331	2.362	II	•	–	–	4.055 x 6.299 / –	ABS (UL 94 HB)	A 90 40 165
	7.441	4.331	2.756	I	–	–	–	4.055 x 6.299 / –	ABS (UL 94 HB)	A 90 43 065
189 L	7.441	4.331	2.756	–	–	ventilation	–	4.055 x 6.299 / –	ABS (UL 94 HB)	A 90 43 265
189 H	7.441	4.331	3.819	I	–	–	–	4.055x6.299 / 4.016x6.220	ABS (UL 94 HB)	A 90 41 065
	7.441	4.331	3.819	II	•	–	–	4.055x6.299 / 4.016x6.220	ABS (UL 94 HB)	A 90 41 165
	7.441	4.331	4.724	I	–	–	–	4.055x6.299 / 3.976x7.087	ABS (UL 94 HB)	A 90 42 065
210 A	8.268	4.921	2.756	–	–	–	• (acc.)	4.291 x 7.638	ABS (UL 94 HB)	A 95 40 165

## ACCESSORIES

Article	For enclosure FLAT-PACK CASE	Version / Application	Part-No.
① Front panel	120 A	matt anodized aluminum, 4.449" x 2.283" x 0.039", 1 pc	A 91 95 201
	150 A	matt anodized aluminum, 5.583" x 2.819" x 0.059", 1 pc	A 91 95 301
	210 A	matt anodized aluminum, 7.913" x 4.567" x 0.059", 1 pc	A 91 95 401
② Snap lock	189 N/H/L	replaces the standard screw fixing of the case*2, 1 pc	A 91 00 008
③ Assembly kit*3	100 H, 120 N	4 screws and press-in counternut	A 91 20 000
	150 N (A 90 30 ...)	4 screws and press-in counternut	A 91 30 000
	150 N (A 90 32 ...)	4 screws and press-in counternut	A 91 32 000
	189 N (A 90 40 ...)	4 screws and press-in counternut	A 91 40 000



\*1 max. size of PCBs in inches (base part/top part)

\*2 this simple snap lock device replaces the standard screw fixings supplied with the case; the lock is fixed into the assembly bushes in the top cover; with this, the top can be fixed from the front; this is especially useful if the case is to be wall mounted only for FLAT-PACK CASES 189 N/H/L with assembly bushes

\*3 see also note in Info-Box

• included